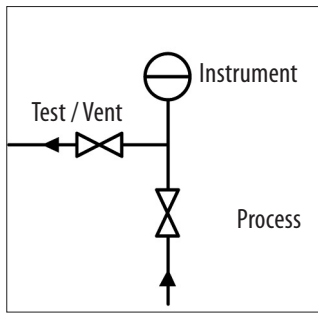


MAN21 SERIES | 2-VALVE MANIFOLD FOR REMOTE MOUNT

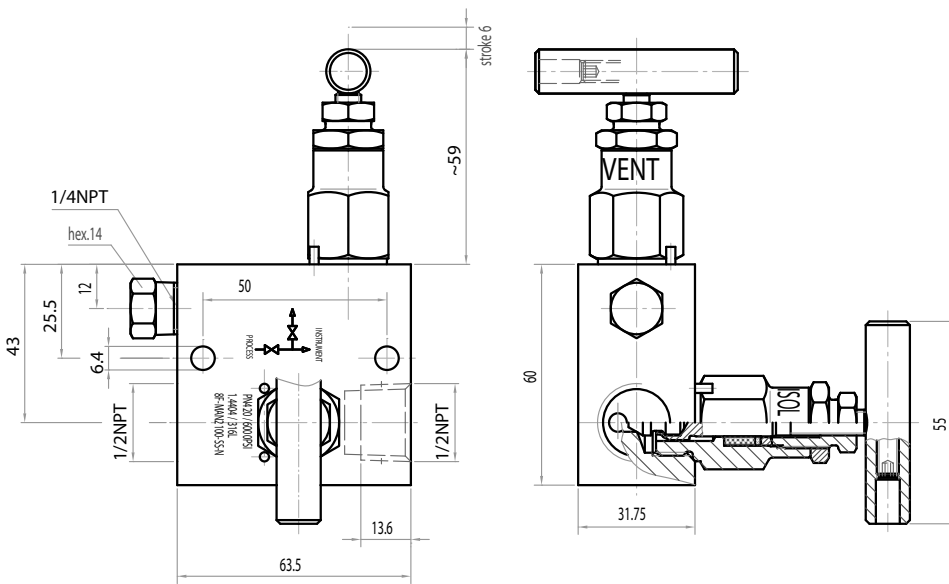


APPLICATIONS

- Designed for static pressure measurement by remote mounting to pressure gauge or transmitter
- Ideally suited for isolation, calibration and purge of pressure gauges and transmitters, or liquid level applications

KEY FEATURES

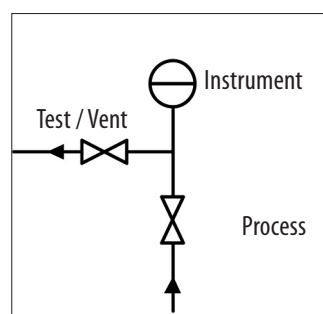
- Consists of one block valve and one bleed valve
- 1/4" female test / vent connection with screw plug included



PRODUCT CONFIGURATOR

Connections		Serie	Type	Needle tip material		Packing material		Body material		Thread		Options	
8F		MAN2	1	0		0		SS		N		10K	
Inlet: 1/2 female	8F	2 valve manifold	MAN2 Remote manifold	316 Ti (default)	0	PTFE (default)	0	Stainless Steel	SS	NPT	N	689 bar	10K
Outlet: 1/2 female				Stellite	1	Graphite	1	Carbon steel	CS	BSPT	T	10.000 psi	DO
				PCTFE	2			Alloy 400	M4	BSPP	G	Hydrogen service	DH
				POM	3			Duplex	DU			Anti-tamper head unit	AT
								SuperDuplex	SD			Bellows sealed type	BT
								Alloy C-276	H6			Lockable type	LT
								6 Mo	SM			Sour gas service	SR
								Titanium Gr. 2	TI				
								Alloy 825	I8				
								Alloy 625	I6				

MAN22 SERIES | 2-VALVE MANIFOLD FOR DIRECT MOUNT

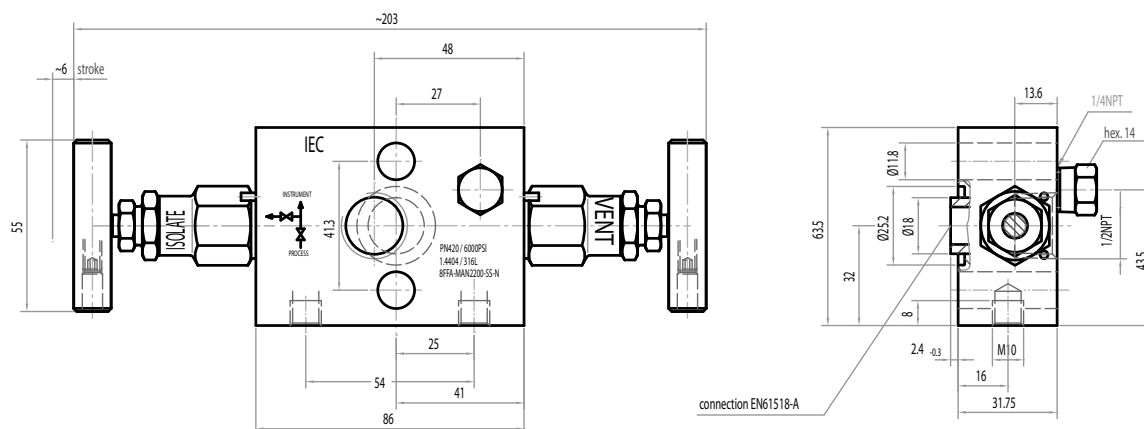


APPLICATIONS

- Designed for static pressure measurement by direct mounting to pressure gauge or transmitter
- Ideally suited for isolation, calibration and purge of pressure gauges and transmitters, or liquid level applications

KEY FEATURES

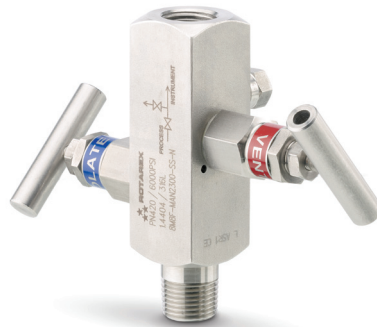
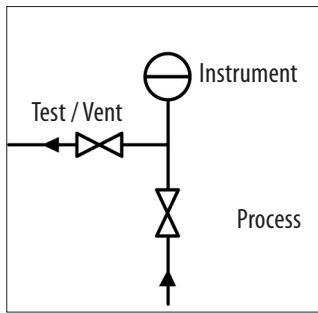
- Consists of one block valve and one bleed valve
- Presents a flanged connection on the instrument side, according to IEC 61518, typeA
- 1/4" female test / vent connection with screw plug included



PRODUCT CONFIGURATOR

Connections		Serie		Type	Needle tip material		Packing material		Body material		Thread		Options		
8FFA		MAN2		2	0		0		SS		N		10K		
Inlet: 1/2" female	8FFA	2 valve manifold	MAN2	Direct mount manifold	2	316 Ti (default)	0	PTFE (default)	0	Stainless Steel 316/316L	SS	NPT	N	689 bar 10.000 psi	10K
Outlet: flange						Stellite	1	Graphite	1	Carbon steel	CS	BSPT	T	Oxygen service	DO
						PCTFE	2			Alloy 400	M4	BSPP	G	Hydrogen service	DH
						POM	3			Duplex	DU			Anti-tamper head unit	AT
										SuperDuplex	SD			Bellows sealed type	BT
										Alloy C-276	H6			Lockable type	LT
										6 Mo	SM			Sour gas service	SR
										Titanium Gr. 2	TI				
										Alloy 825	I8				
										Alloy 625	I6				

MAN23 SERIES | BLOCK AND BLEED VALVE

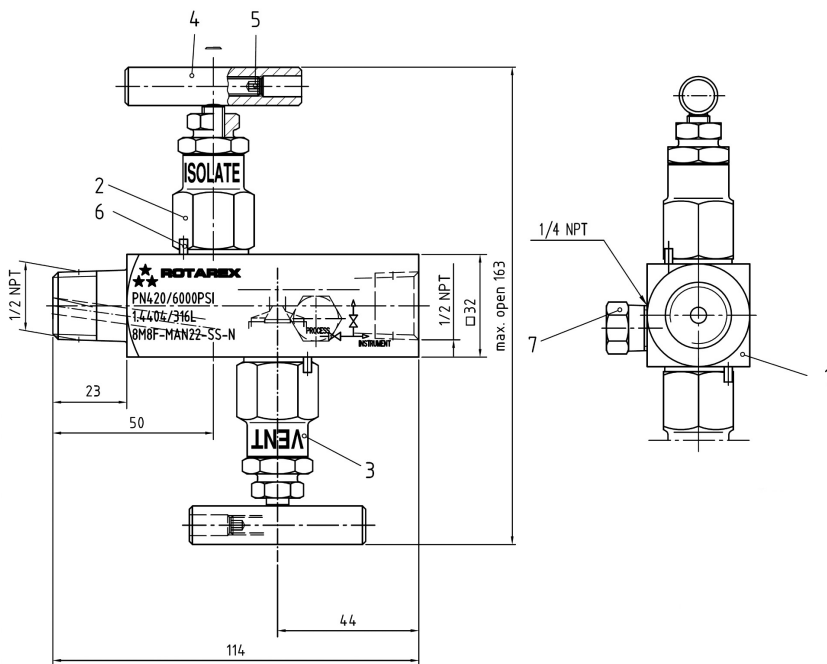


APPLICATIONS

- Designed for static pressure measurement by remote mounting to pressure gauge or transmitter
- Ideally suited for isolation, calibration and purge of pressure gauges and transmitters, or liquid level applications

KEY FEATURES

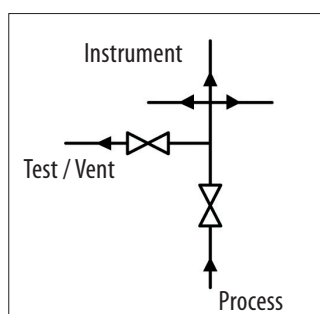
- Consists of one block valve and one bleed valve
- Compact design, minimal space needed for installation and operation
- 1/4" female test / vent connection with screw plug included



PRODUCT CONFIGURATOR

Connections		Serie	Type	Needle tip material		Packing material		Body material		Thread	Options		
8F		MAN2	3	0		0		SS		N	10K		
Inlet: 1/2" female	8F	2 valve manifold	MAN2 Block and bleed valve	316 Ti (default)	0	PTFE (default)	0	Stainless Steel 316/316L	SS	NPT	N	689 bar 10.000 psi	10K
Outlet: 1/2" female	8M8F			Stellite	1	Graphite	1	Carbon steel	CS	BSPT	T	Oxygen service	DO
Inlet: 1/2" male	8F8M			PCTFE	2			Alloy 400	M4	BSPP	G	Hydrogen service	DH
Outlet: 1/2" male				POM	3			Duplex	DU			Anti-tamper head unit	AT
Inlet: 1/2" male	8M					SuperDuplex	SD				Bellows sealed type	BT	
Outlet: 1/2" male						Alloy C-276	H6				Lockable type	LT	
							6 Mo	SM				Sour gas service	SR
							Titanium Gr. 2	TI					
						Alloy 825	I8						
						Alloy 625	I6						

SERIES MAN24 | MULTIPOINT VALVE

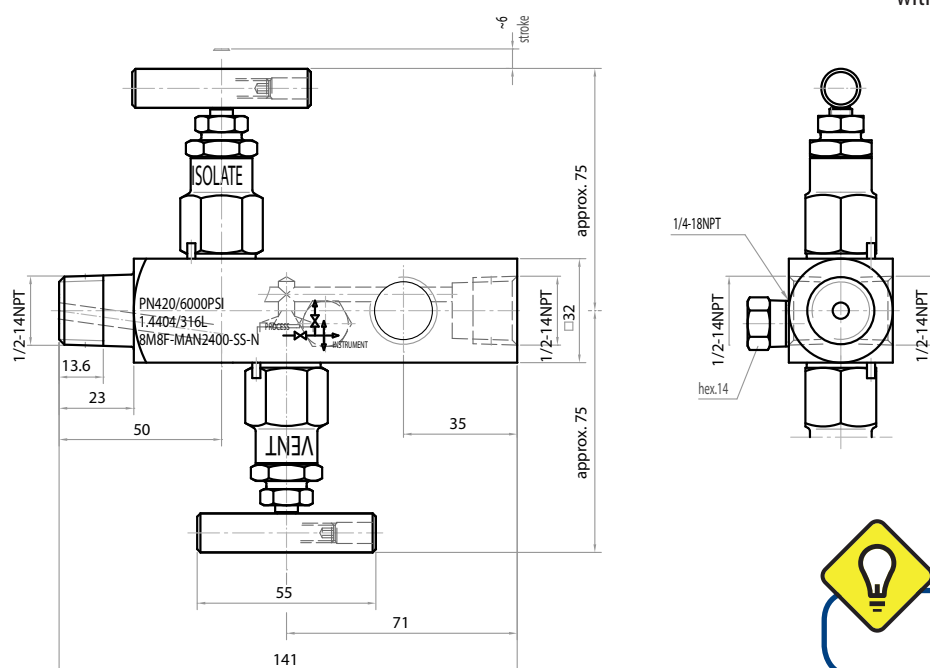


APPLICATIONS

- Designed for static pressure measurement by direct mounting to pressure gauge
- Ideally suited for isolation, calibration and purge of pressure gauges and transmitters, or liquid level applications

KEY FEATURES

- Consists of one block valve and one bleed valve
- Compact design, minimal space needed for installation and operation
- 1/4" female test / vent connection with screw plug included

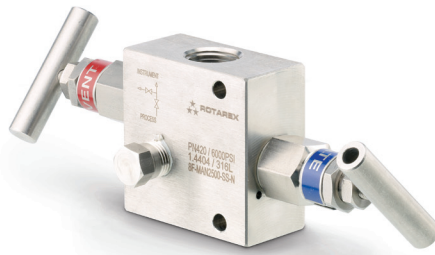
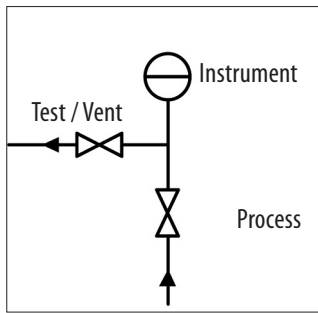


MAN24 series is a variant of the MAN23 series with three 1/2" female instrument connections

PRODUCT CONFIGURATOR

Connections		Serie		Type	Needle tip material		Packing material		Body material		Thread		Options	
8F		MAN2		4	0		0		SS		N		10K	
Inlet: 1/2" female	8F	2 valve manifold	MAN2	Multipoint valve	316 Ti (default)	0	PTFE (default)	0	Stainless Steel 316/316L	SS	NPT	N	689 bar 10.000 psi	10K
Outlet: 1/2" female	8M8F				Stellite	1	Graphite	1	Carbon steel	CS	BSPT	T	Oxygen service	DO
					PCTFE	2			Alloy 400	M4	BSPP	G	Hydrogen service	DH
					POM	3			Duplex	DU			Anti-tamper head unit	AT
									SuperDuplex	SD			Bellows sealed type	BT
									Alloy C-276	H6			Lockable type	LT
									6 Mo	SM			Sour gas service	SR
									Titanium Gr. 2	TI				
									Alloy 825	I8				
									Alloy 625	I6				

MAN25 SERIES | 2-VALVE MANIFOLD 180° DESIGN

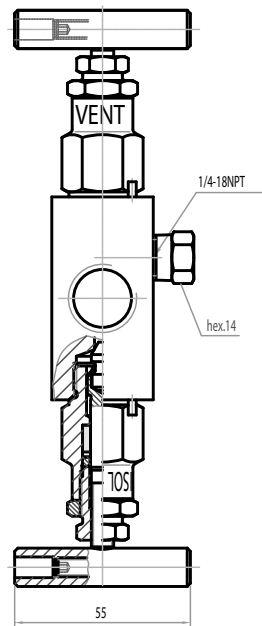
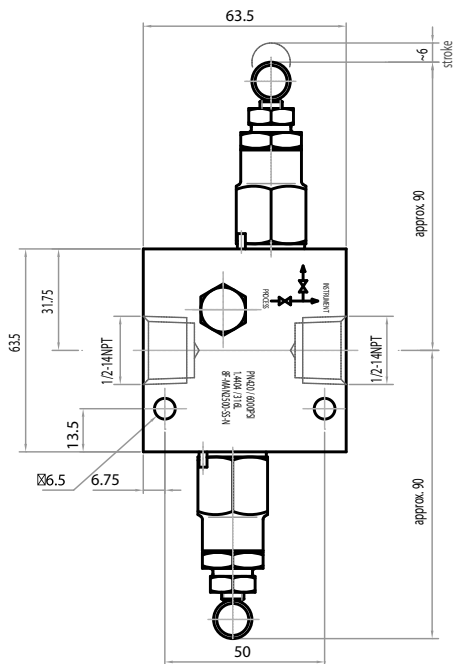


APPLICATIONS

- Designed for static pressure measurement by remote mounting to pressure gauge or transmitter
- Ideally suited for isolation, calibration and purge of pressure gauges and transmitters, or liquid level applications

KEY FEATURES

- Consists of one block valve and one bleed valve
- 1/4" female test / vent connection with screw plug included



MAN25 series is a variant of the MAN21 series with a specific design adapted to cases of space constraints

PRODUCT CONFIGURATOR

Connections		Serie		Type	Needle tip material		Packing material		Body material		Thread		Options	
8F		MAN2		5	0		0		SS		N		10K	
Inlet: 1/2" female	8F	2 valve manifold	MAN3	180° Design	316 Ti (default)	0	PTFE (default)	0	Stainless Steel 316/316L	SS	NPT	N	689 bar 10.000 psi	10K
Outlet: 1/2" female					Stellite	1	Graphite	1	Carbon steel	CS	BSPT	T	Oxygen service	DO
					PCTFE	2			Alloy 400	M4	BSPP	G	Hydrogen service	DH
					POM	3			Duplex	DU			Anti-tamper head unit	AT
									SuperDuplex	SD			Bellows sealed type	BT
									Alloy C-276	H6			Lockable type	LT
									6 Mo	SM			Sour gas service	SR
									Titanium Gr. 2	TI				
									Alloy 825	I8				
									Alloy 625	I6				