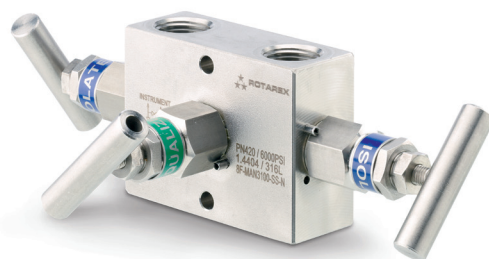
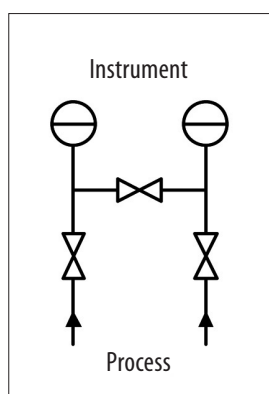


# SERIES MAN31 | 3-VALVE MANIFOLD FOR REMOTE MOUNT

# TEESING

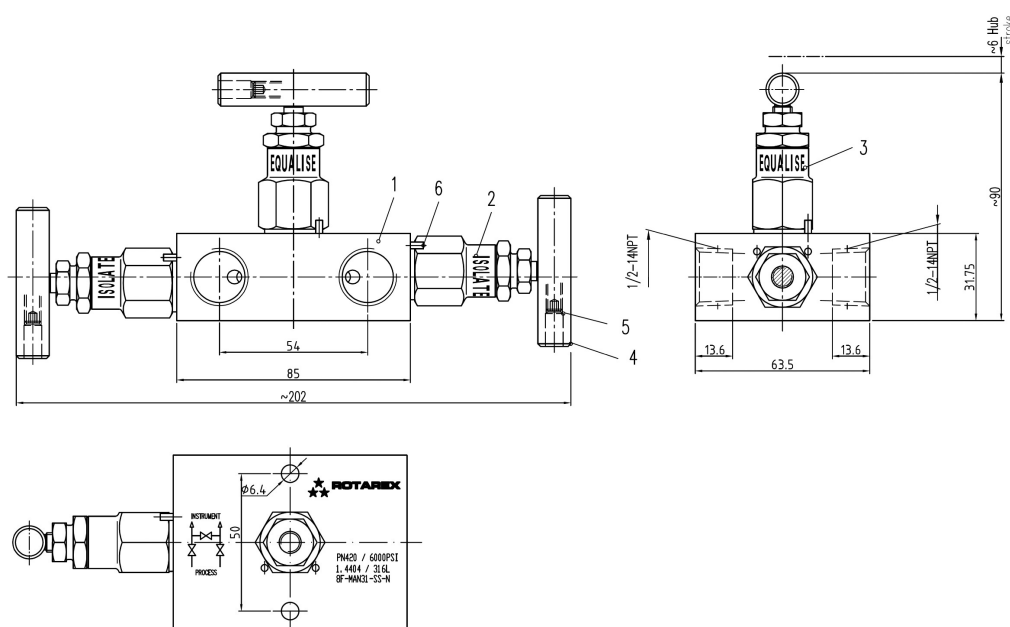
[WWW.TEESING.COM](http://WWW.TEESING.COM)


## APPLICATIONS

- Designed for differential pressure measurement by remote mounting to transmitter
- Ideally suited for measurement of flow rates or levels by transmitter or differential pressure gauge with calibration device

## KEY FEATURES

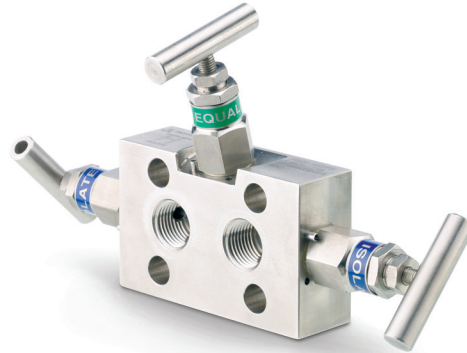
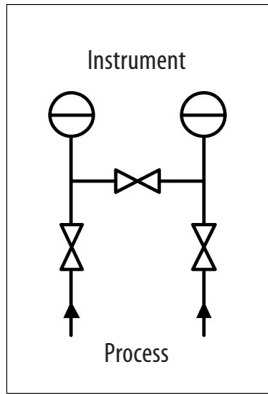
- Consists of two block valves and one equalizer valve
- An equalizer valve enables the transmitter calibration
- No bleed/vent connection available with this model (for mounting to transmitters incorporating test / vent ports)



## PRODUCT CONFIGURATOR

Connections		Serie		Type	Needle tip material		Packing material		Body material		Thread		Options		
8F		MAN2		1	0		0		SS		N		10K		
Inlet: 1/2" female	8F	3 valve manifold	MAN3	Remote manifold	1	316Ti (default)	0	PTFE (default)	0	Stainless Steel 316/316L	SS	NPT	N	689 bar 10.000 psi	10K
Outlet: 1/2" female						Stellite	1	Graphite	1	Carbon steel	CS	BSPT	T	Oxygen service	DO
						PCTFE	2			Alloy 400	M4	BSPP	G	Hydrogen service	DH
						POM	3			Duplex	DU			Anti-tamper head unit	AT
										SuperDuplex	SD			Bellows sealed type	BT
										Alloy C-276	H6			Lockable type	LT
										6 Mo	SM			Sour gas service	SR
										Titanium Gr. 2	TI				
										Alloy 825	I8				
										Alloy 625	I6				

**MAN32 SERIES | 3-VALVE MANIFOLD FOR DIRECT MOUNT**

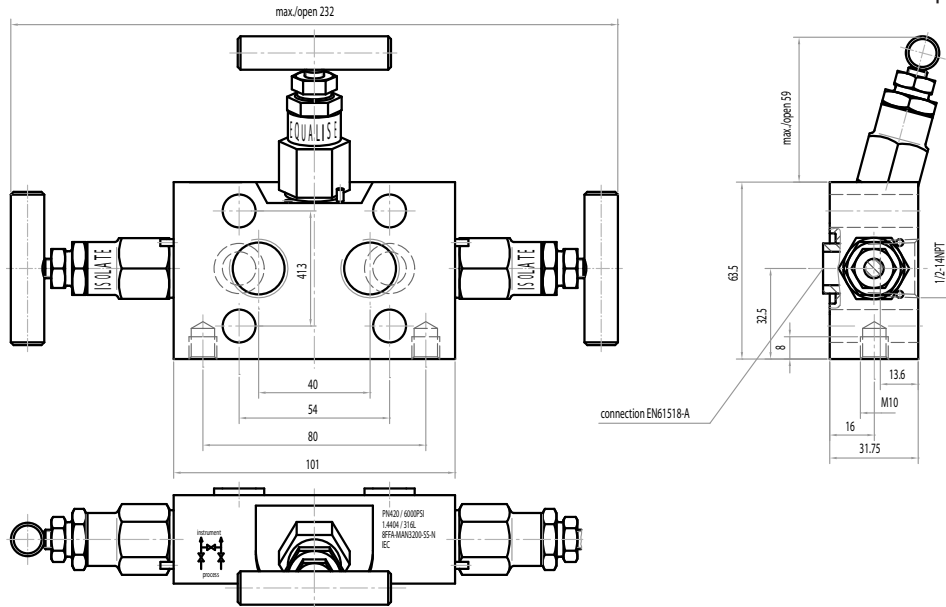


**APPLICATIONS**

- Designed for differential pressure measurement by direct mounting to transmitter
- Ideally suited for measurement of flow rates or levels by transmitter or differential pressure gauge with calibration device.

**KEY FEATURES**

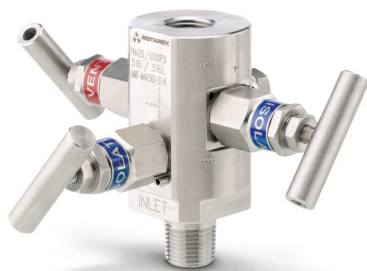
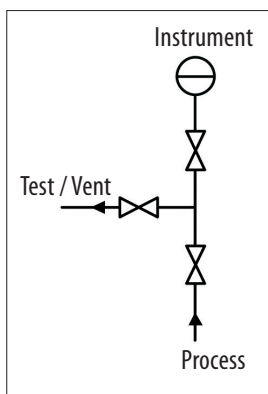
- Consists of two block valves and one equalizer valve
- The equalizer valve enables the transmitter calibration
- Presents a flanged connection on the instrument side, according to IEC 61518, typeA
- No bleed/vent connection available with this model (for mounting to transmitters incorporating test / vent ports)



**PRODUCT CONFIGURATOR**

Connections		Serie	Type	Needle tip material	Packing material	Body material	Thread	Options
8FFA		MAN3	2	0	0	SS	N	10K
Inlet: 1/2" female	8FFA	3 valve manifold	MAN3 Direct mount manifold	316 Ti (default)	PTFE (default)	Stainless Steel 316/316L	NPT	689 bar 10.000 psi
Outlet: 1/2" female				Stellite	Graphite	Carbon steel	BSPT	Oxygen service
				PCTFE		Alloy 400	BSPP	Hydrogen service
				POM		Duplex		Anti-tamper head unit
						SuperDuplex		Bellows sealed type
						Alloy C-276		Lockable type
						6 Mo		Sour gas service
						Titanium Gr. 2		
						Alloy 825		
						Alloy 625		

# MAN3 SERIES | DOUBLE BLOCK AND BLEED VALVE

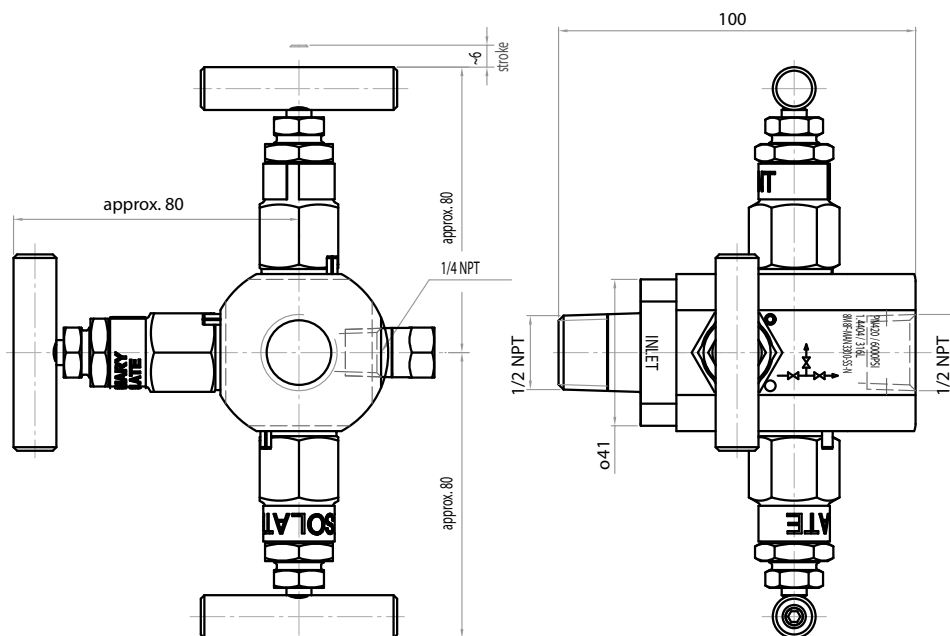


## APPLICATIONS

- Designed for static pressure measurement by direct mounting to pressure gauge
- Ideally suited for isolation, calibration and purge of pressure gauges and transmitters
- The security is reinforced, compared with the single block and bleed valve

## KEY FEATURES

- Consists of two block valves and one bleed valve
- Compact design, minimal space needed for installation and operation
- 1/4" female test / vent connection with screw plug included



## PRODUCT CONFIGURATOR

Connections		Serie	Type	Needle tip material		Packing material		Body material		Thread	Options		
8F		MAN3	3	0		0		SS		N	10K		
Inlet: 1/2" female	8F	3 valve manifold	MAN3 Block and bleed valve	316 Ti (default)	0	PTFE (default)	0	Stainless Steel	SS	NPT	N	689 bar	10K
Outlet: 1/2" female	8M8F			Stellite	1	Graphite	1	Carbon steel	CS	BSPT	T	Oxygen service	DO
Inlet: 1/2" female	8F8M			PCTFE	2			Alloy 400	M4	BSPP	G	Hydrogen service	DH
Outlet: 1/2" male	8M			POM	3			Duplex	DU			Anti-tamper head unit	AT
								SuperDuplex	SD			Bellows sealed type	BT
								Alloy C-276	H6			Lockable type	LT
								6 Mo	SM			Sour gas service	SR
								Titanium Gr. 2	TI				
								Alloy 825	I8				
								Alloy 625	I6				