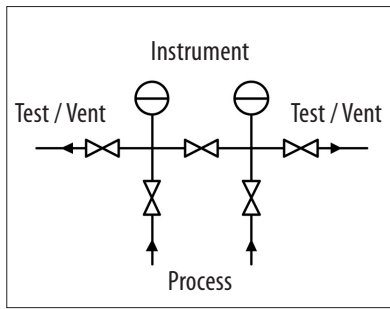


MAN51 SERIES | 5-VALVE MANIFOLD FOR REMOTE MOUNT

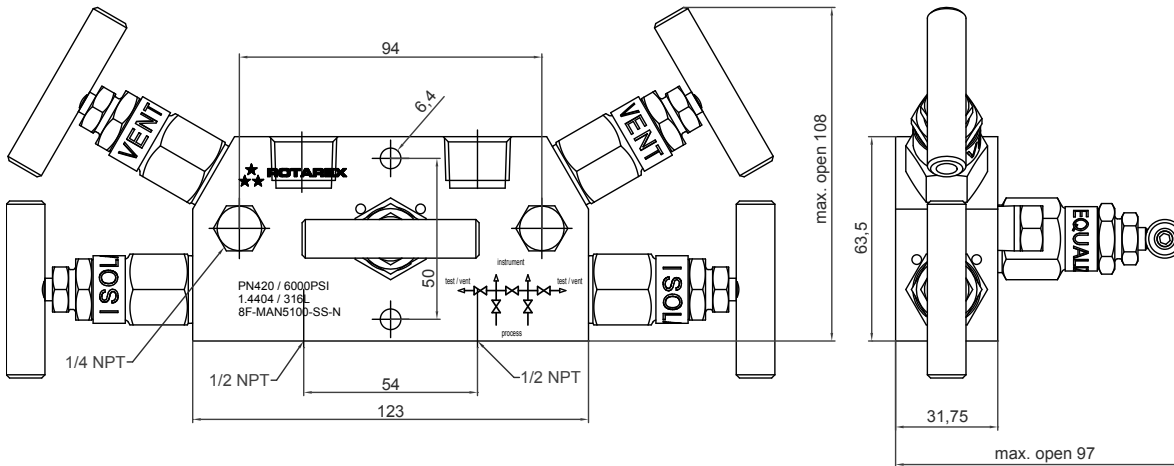


APPLICATIONS

- Designed for differential pressure measurement by remote mounting to transmitter when a double bleed function is required.
- Ideally suited for measurement of flow rates or levels by transmitter or differential pressure gauge with calibration device

KEY FEATURES

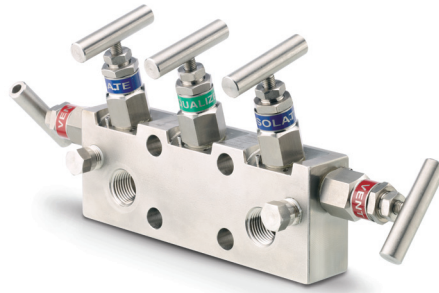
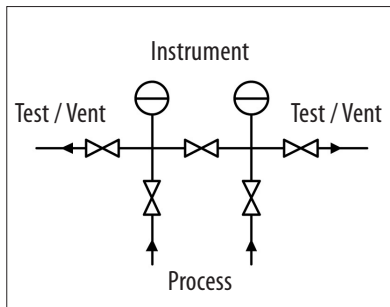
- Consists of two block valves, two bleed valves and one equalizer valve
- The equalizer valve enables the transmitter calibration
- 1/4" female test / vent connection with screw plug included



PRODUCT CONFIGURATOR

Connections		Serie	Type	Needle tip material		Packing material		Body material		Thread	Options		
8F		MAN5	3	0		0		SS		N	10K		
Inlet: 1/2" female	8FFA	5 valve manifold	MAN5 Remote manifold	316 Ti (default)	0	PTFE (default)	0	Stainless Steel 316/316L	SS	NPT	N	689 bar 10.000 psi	10K
Outlet: 1/2" female				Stellite	1	Graphite	1	Carbon steel	CS	BSPT	T	Oxygen service	DO
				PCTFE	2			Alloy 400	M4	BSPP	G	Hydrogen service	DH
				POM	3			Duplex	DU			Anti-tamper head unit	AT
								SuperDuplex	SD			Bellows sealed type	BT
								Alloy C-276	H6			Lockable type	LT
								6 Mo	SM			Sour gas service	SR
								Titanium Gr. 2	TI				
								Alloy 825	I8				
								Alloy 625	I6				

MAN52 SERIES | 5-VALVE MANIFOLD FOR DIRECT MOUNT

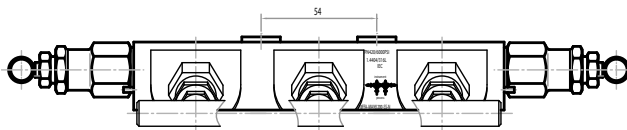
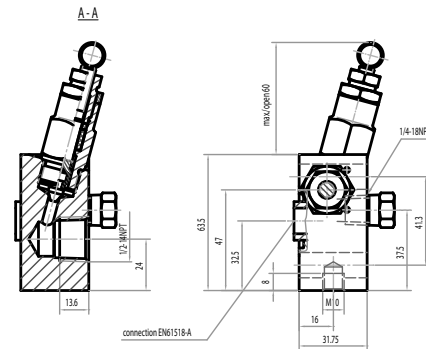
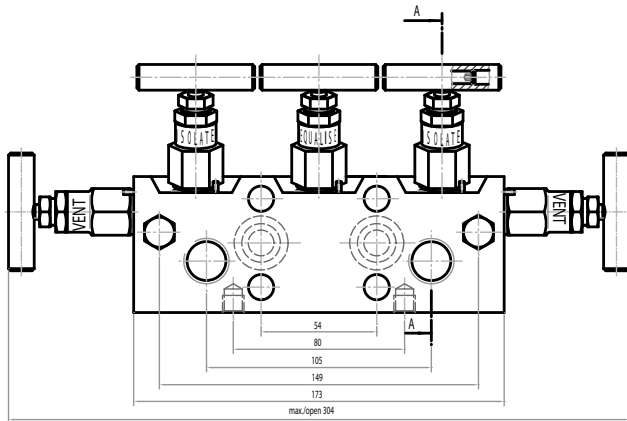


APPLICATIONS

- Designed for differential pressure measurement by direct mounting to transmitter when a double bleed function is required.
- Ideally suited for measurement of flow rates or levels by transmitter or differential pressure gauge with calibration device

KEY FEATURES

- Consists of two block valves, two bleed valves and one equalizer valve
- The equalizer valve enables the transmitter calibration
- Presents a flanged connection on the instrument side, according to IEC 61518, type A
- 1/4" female test / vent connection with screw plug included



PRODUCT CONFIGURATOR

Connections		Serie	Type	Needle tip material	Packing material	Body material		Thread	Options
8F		MAN5	3	0	0	SS		N	10K
Inlet: 1/2" female	8FFA	5 valve manifold	MAN5 Direct mount manifold	316 Ti (default)	PTFE (default)	Stainless Steel	SS	NPT	689 bar
Outlet: 1/2" female				Stellite	Graphite	Carbon steel	CS	BSPT	10.000 psi
				PCTFE		Alloy 400	M4	BSPP	Oxygen service
				POM		Duplex	DU		Hydrogen service
						SuperDuplex	SD		Anti-tamper head unit
						Alloy C-276	H6		Bellows sealed type
						6 Mo	SM		Lockable type
						Titanium Gr. 2	TI		Sour gas service
						Alloy 825	I8		
						Alloy 625	I6		