

## SERIES D 215 | DUAL STAGE HP REGULATOR

- Diaphragm dual stage
- Purity up to 6.0
- Inlet pressure:  
200 (2900 psi)  
or 300 bar (4350 psi)
- Outlet pressure:  
1/3/8/16 bar  
14.5/44/116/232 psi

- ★ Compact and light-weight design
- ★ 1 inlet / 1 outlet
- ★ O<sub>2</sub> application compatible
- ★ Inlet/outlet pressure gauges
- ★ 1 safety relief valve

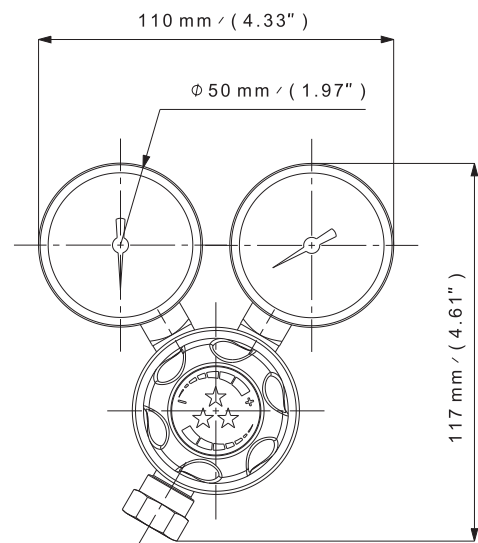
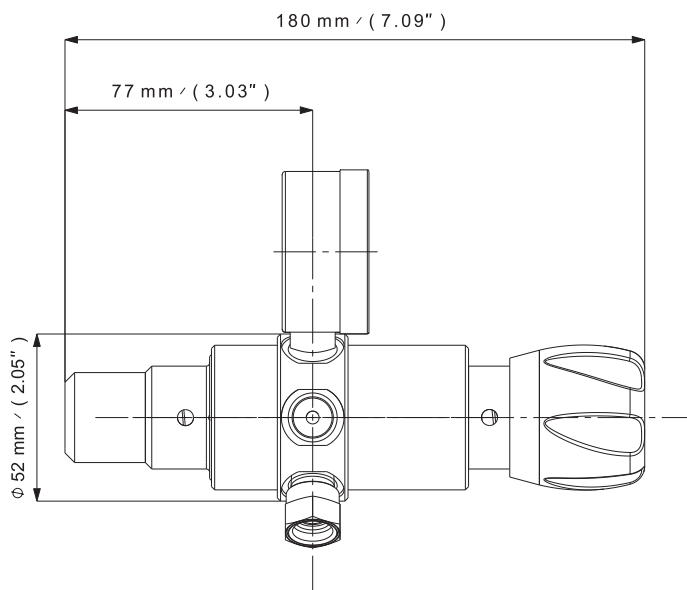
Special requirements on request

## APPLICATIONS

- Designed for cylinder regulator applications.
- Ideally suited for pure, inert and mildly corrosive gas applications requiring a very stable outlet pressure.

## KEY FEATURES

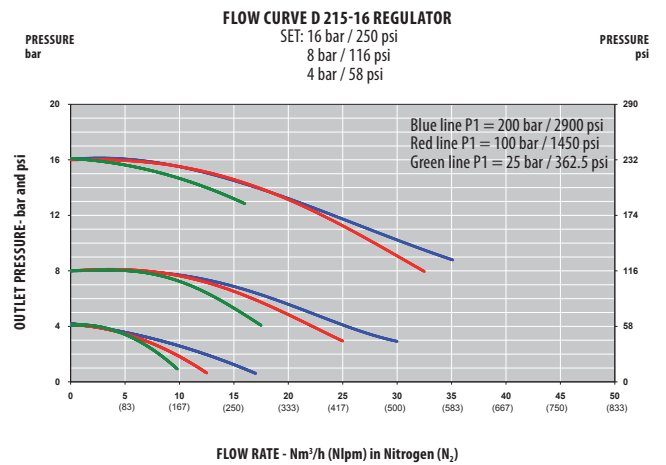
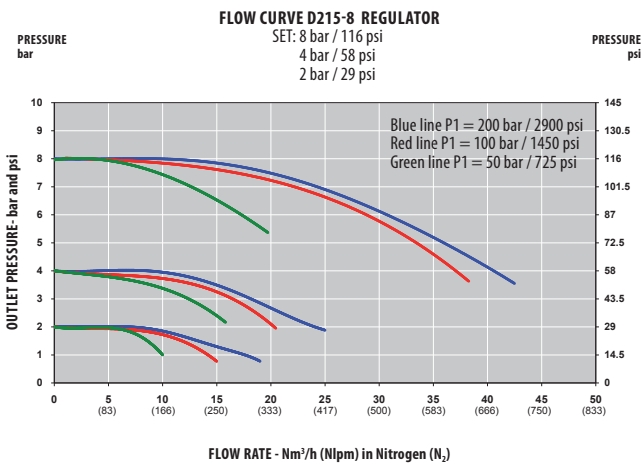
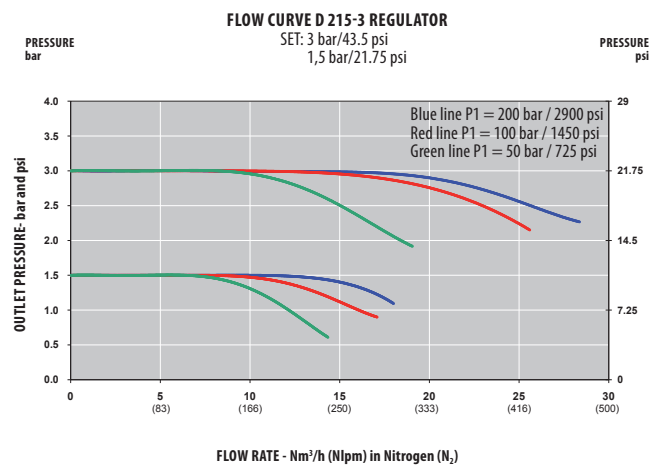
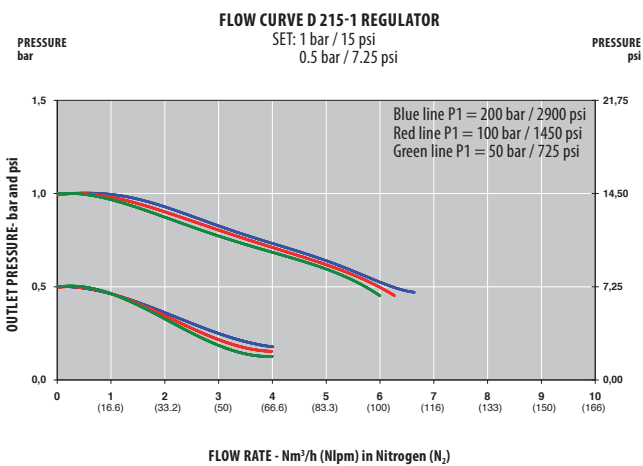
- The D 215 regulator is based on the high-performing S 215 technology but delivers superior outlet pressure stability.
- Accurate pressure control for reliable service and guarantees a stable outlet pressure.
- Compact, ergonomic and lightweight.



**SPECIFICATIONS**

<b>Female ports</b>	16 x 1.336 (inlet) - G $\frac{3}{8}$ (outlet) or ¼ NPT (inlet/outlet)	<b>Weight</b>	± 1,45 kg ± 3.2 lbs	<b>Inlet pressure</b>	200 bar / 300 bar 2900 psi / 4350 psi
<b>Seat seal</b>	PCTFE	<b>Leak rate</b>	10 <sup>-8</sup> mbar ℓ/s He	<b>Outlet pressure</b>	1 / 3 / 8 / 16 bar 14.5/44/116/232 psi
<b>O-ring</b>	EPDM - Standard NBR FPM	<b>Temperature range</b>	- 20°C to + 60°C - 4°F to + 140°F	<b>Nominal Flow</b>	0,4/1,2/2,9/3,5 Nm <sup>3</sup> /h (N <sub>2</sub> )
<b>Diaphragm</b>	AISI 304	<b>Gauges</b>	High and low pressure (¼ NPT or M10 x 1)	<b>Oxygen use</b>	OK for brass and stainless steel

**FLOW CURVES**



**PRODUCT CONFIGURATOR**

Body Material		Inlet Pressure	Outlet Pressure	Ports	End Connections	O-ring Material	Gauges	Ports Configuration
D	L	215	200	8	5	N	1	A
	Chrome plated brass	200 bar / 2900 psi	200	1 bar / 14.5 psi	5 ports	16	0	Standard
	Stainless steel	300 bar / 4350 psi	300	3 bar / 44 psi	6 ports	N	1	Reverse inlet/outlet
				8 bar / 116 psi		FPM		
				16 bar / 232 psi				

# SERIES D 230 | DUAL STAGE HP REGULATOR

- Piston/bellow dual stage
- Purity up to 6.0
- Inlet pressure: 200 bar (2900 psi)
- Outlet pressure: 1/3/10 bar 14.5/44/145psi

- ★ Compact and light-weight design
- ★ 1 inlet / 2 outlets
- ★ O<sub>2</sub> application compatible (brass only)
- ★ Inlet/outlet pressure gauges
- ★ 1 safety relief valve

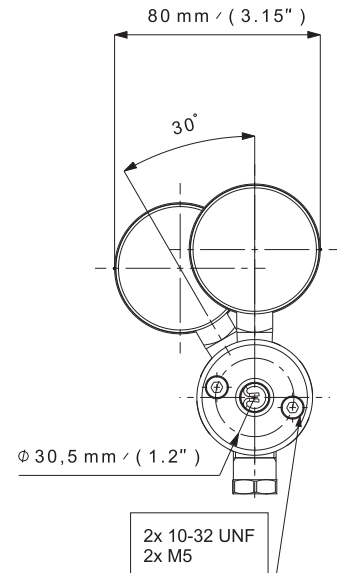
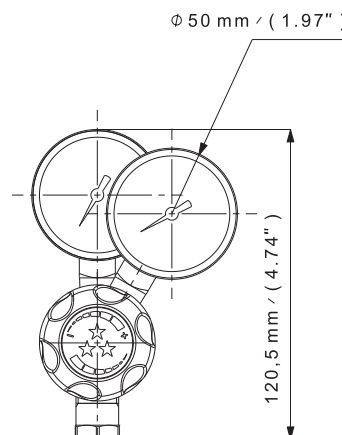
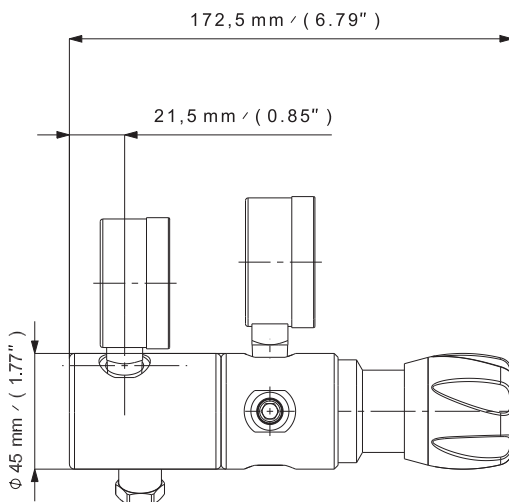
Special requirements on request

### APPLICATIONS

- Designed for cylinder regulator applications.
- Ideally suited for pure, inert and mildly corrosive gas applications requiring a very stable outlet pressure together with a very sensitive set up of this outlet pressure.

### KEY FEATURES

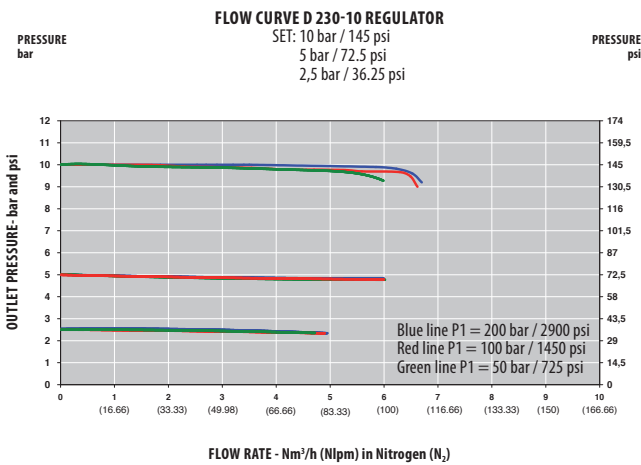
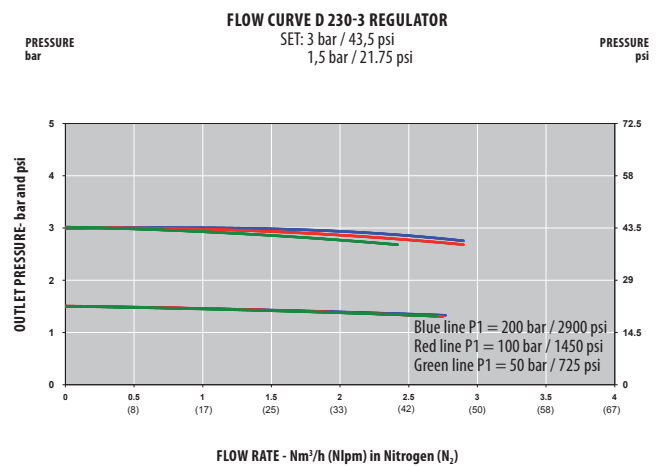
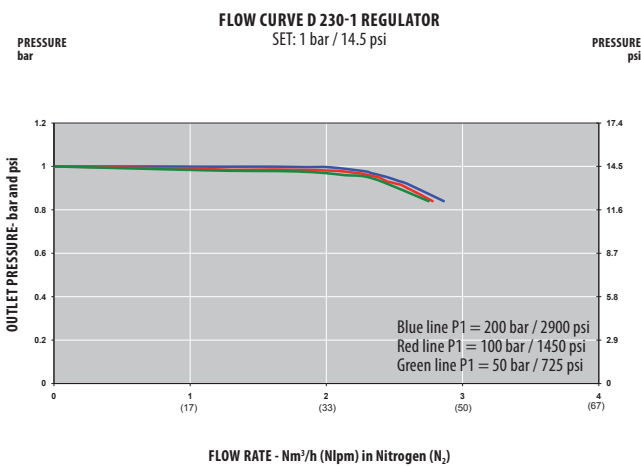
- The D 230 regulator is based on the S 20 proven bellow technology.
- Accurate pressure control for reliable service and guarantees a stable outlet pressure due to the combination of the piston and bellow technology.
- Compact and lightweight design.
- Fixed outlet pressure version available.



**SPECIFICATIONS**

<b>Female ports</b>	16 x 1.336 (inlet) - G 3/8 (outlet) or 1/4 NPT (inlet/outlet)	<b>Weight</b>	± 1,6 kg ± 3.5 lbs	<b>Inlet pressure</b>	200 bar 2900 psi
<b>Seat seal</b>	PTFE	<b>Leak rate</b>	10 <sup>-8</sup> mbar ℓ/s He	<b>Outlet pressure</b>	1/3/10 bar 14.5/44/145 psi
<b>O-ring</b>	EPDM - Standard NBR FPM	<b>Temperature range</b>	- 20°C to + 60°C - 4°F to + 140°F	<b>Nominal Flow</b>	2/2,5/3,5 Nm <sup>3</sup> /h (N <sub>2</sub> )
<b>Piston</b>	Brass (Brass version) AISI 316L (SS version)	<b>Gauges</b>	High and low pressure (M10 x 1 or 1/4 NPT)	<b>Oxygen use</b>	Brass only
<b>Below</b>	Bronze or AISI 316L (SS version)				

**FLOW CURVES**



**PRODUCT CONFIGURATOR**

Body Material		Outlet Pressure	End Connections	O-ring Material	Gauges	Handwheel				
D	L	230	10	N	1	H				
	Chrome plated brass	1 bar / 14.5 psi	1	In: 16 x 1.336 Out: G 3/8	16	EPDM - Standard	Without	0	With - standard	H
	Stainless steel	3 bar / 44 psi	3	In: NPT 1/4 Out: G 3/8	NG	NBR	With	1	Without (fixed outlet pressure)	FX
		10 bar / 145 psi	10	NPT 1/4 (inlet/Outlet)	N	FPM				

## SERIES D 230-0.1 | DUAL STAGE HP REGULATOR

- Piston/diaphragm dual stage
- Purity up to 6.0
- Inlet pressure: 200 bar (2900 psi)
- Outlet pressure: 0,01 - 0,1 bar 0.14 - 1.45 psi

- ★ Compact and lightweight design
- ★ 1 inlet / 2 outlets
- ★ O<sub>2</sub> application compatible (brass only)
- ★ Inlet/outlet pressure gauges
- ★ 1 safety relief valve

Special requirements on request



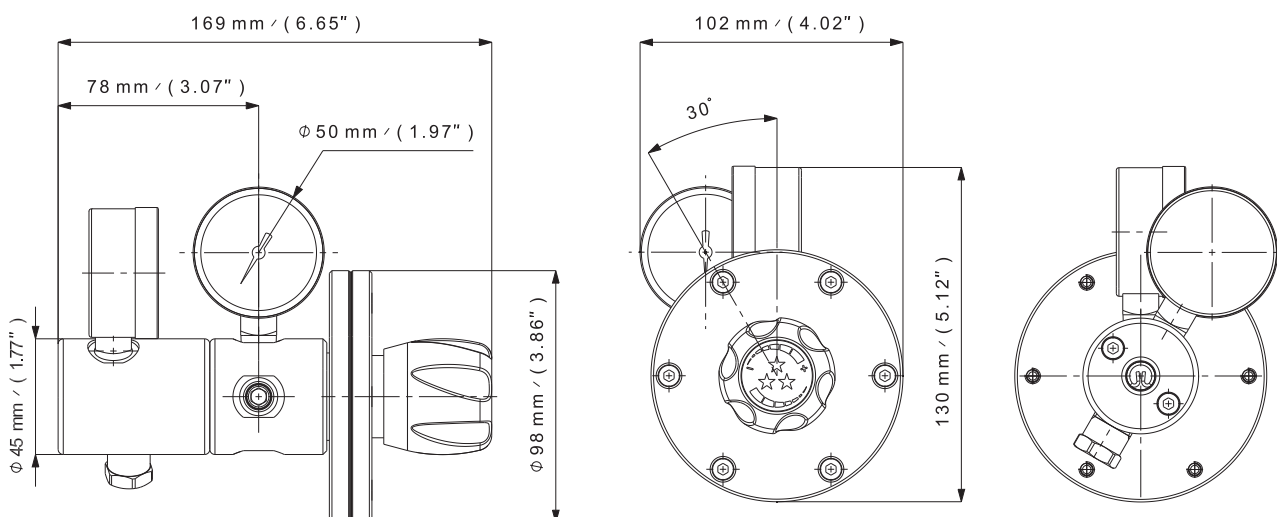
Rear inlet view - with cylinder connector

### APPLICATIONS

- Designed for cylinder regulator applications.
- Ideally suited for pure, inert and mildly corrosive gas applications requiring a very stable, very sensitive and very low outlet pressure.

### KEY FEATURES

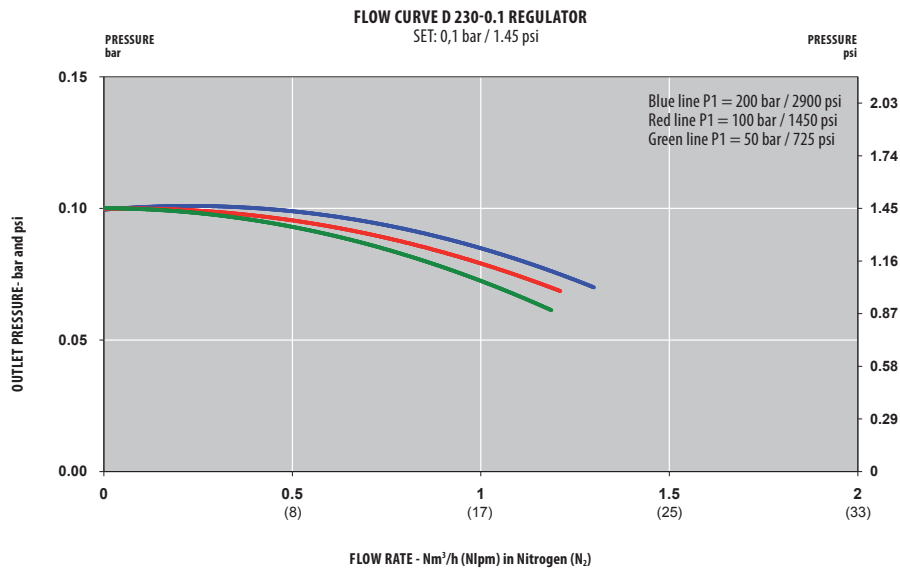
- The DL 230-0.1 regulator is based on the SL 20-0.1 proven low pressure regulator.
- Guarantees a stable low flow due to the combination of the piston and diaphragm technologies.
- The rear threads can be used for wall mounting.
- Can also be equipped with a needle or shut off valve at the outlet.



**SPECIFICATIONS**

<b>Female ports</b>	16 x 1.336 (inlet) - G 3/8 (outlet) 1/4 NPT (inlet) - G 3/8 (outlet) 1/4 NPT (inlet/outlet)	<b>Weight</b>	± 1,5 kg ± 3.3 lbs	<b>Inlet pressure</b>	200 bar 2900 psi
<b>Seat seal</b>	PTFE	<b>Leak rate</b>	10 <sup>-8</sup> mbar ℓ/s He	<b>Outlet pressure</b>	0,01/0,1 bar 0.14/1.45 psi
<b>O-ring</b>	EPDM - Standard NBR FPM	<b>Temperature range</b>	- 20°C to + 60°C - 4°F to + 140°F	<b>Nominal Flow</b>	0,5 Nm <sup>3</sup> /h (N <sub>2</sub> )
<b>Piston</b>	Brass (Brass version) AISI 316L (SS version)	<b>Gauges</b>	High and low pressure (M10 x 1 or 1/4 NPT)	<b>Oxygen use</b>	Brass only
<b>Diaphragm</b>	AISI 304				

**FLOW CURVES**



**PRODUCT CONFIGURATOR**

D	Body Material		230	0.1	End Connections		O-ring Material	Gauges	
	L				N		EPDM	1	
	Chrome plated brass	L			In: 16 x 1.336 Out: G 3/8	16	EPDM - standard	Without	0
	Stainless steel	I			In: NPT 1/4 Out: G 3/8	NG	NBR	With	1
					NPT 1/4 (inlet/outlet)	N	FPM		

# SERIES D 235 | DUAL STAGE HP REGULATOR

- Diaphragm/bellow dual stage
- Purity up to 6.0
- Inlet pressure: 300 bar (4350 psi)
- Outlet pressure: 1/3/10 bar (14.5/44/145 psi)

- ★ Compact and lightweight design
- ★ 1 inlet / 2 outlets
- ★ O<sub>2</sub> application compatible
- ★ Inlet/outlet pressure gauges
- ★ 1 safety relief valve

Special requirements on request

## APPLICATIONS

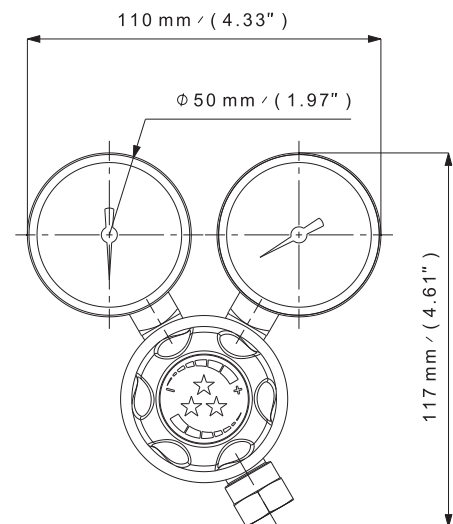
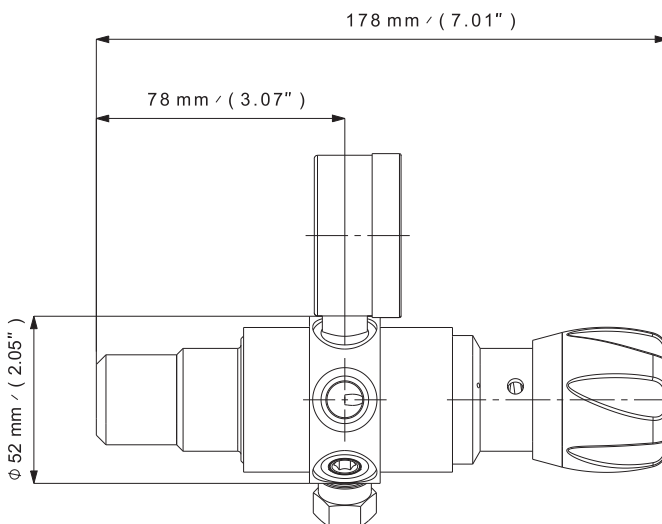
- Designed for cylinder regulator applications.
- Ideally suited for pure, inert and mildly corrosive gas applications requiring a very stable outlet pressure together with a very sensitive set up of this outlet pressure.

## KEY FEATURES

- The D 235 regulator is based on the S 20 proven bellow technology.
- Accurate pressure control for reliable service and guarantees a stable outlet pressure due to the combination of the diaphragm and bellow technology.
- Compact and lightweight design.
- Can also be equipped with a needle or shut off valve at the outlet.



Front view

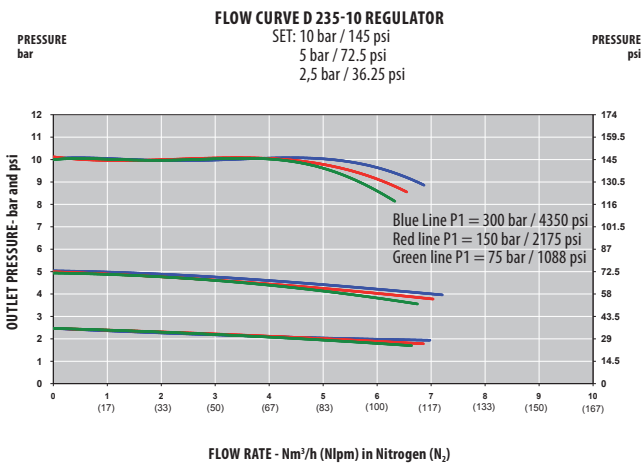
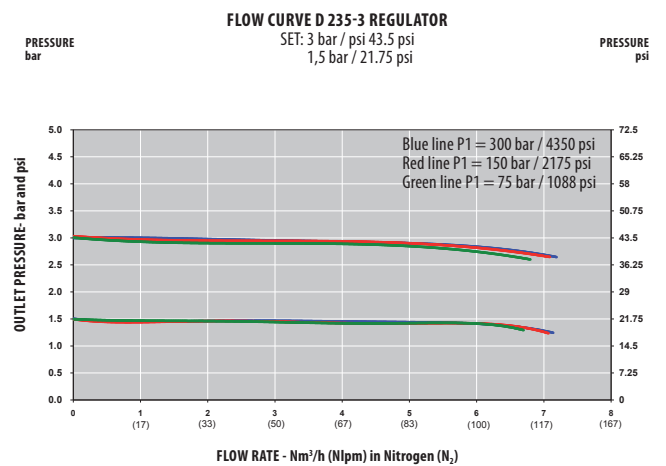
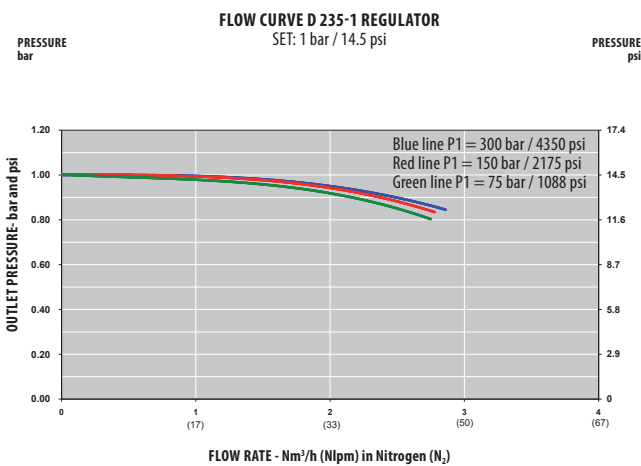




**SPECIFICATIONS**

<b>Female ports</b>	16 x 1.336 (inlet) - G 3/8 (outlet) or 1/4 NPT (inlet/outlet)	<b>Weight</b>	± 1,4 kg ± 3.0 lbs	<b>Inlet pressure</b>	300 bar 4350 psi
<b>Seat seal</b>	PTFE (1 <sup>st</sup> stage) EPDM (2 <sup>nd</sup> stage)	<b>Leak rate</b>	10 <sup>-8</sup> mbar ℓ/s He	<b>Outlet pressure</b>	1 / 3 / 10 bar 14.5/44/145 psi
<b>O-ring</b>	EPDM - Standard NBR FPM	<b>Temperature range</b>	- 20°C to + 60°C - 4°F to + 140°F	<b>Nominal Flow</b>	1/2/5,5 Nm <sup>3</sup> /h (N <sub>2</sub> )
<b>Diaphragm</b>	AISI 304	<b>Gauges</b>	High and low pressure (M10 x 1 or 1/4 NPT)	<b>Oxygen use</b>	OK for brass and stainless steel
<b>Bellow</b>	Bronze (Brass version) AISI 316L (SS version)				

**FLOW CURVES**



**PRODUCT CONFIGURATOR**

Body Material		Outlet Pressure	End Connections	O-ring Material	Gauges		
D	L	235	3	G	EPDM	1	
	Chrome plated brass	1 bar 14.5 psi	1	In: 16 x 1.336 Out: G 3/8	EPDM - Standard	Without	0
	Stainless steel	3 bar 44 psi	3	1/4 NPT - 1/4 NPT	NBR	With	1
		10 bar 145 psi	10		FPM		



## SERIES D 235-0.1 | DUAL STAGE HP REGULATOR

- Diaphragm dual stage
- Purity up to 6.0
- Inlet pressure:  
300 bar (4350 psi)
- Outlet pressure:  
0,1 bar (1.45 psi)

- ★ Compact and light-weight design
- ★ 1 inlet / 2 outlets
- ★ O<sub>2</sub> application compatible (brass only)
- ★ Inlet/outlet pressure gauges
- ★ 1 safety relief valve

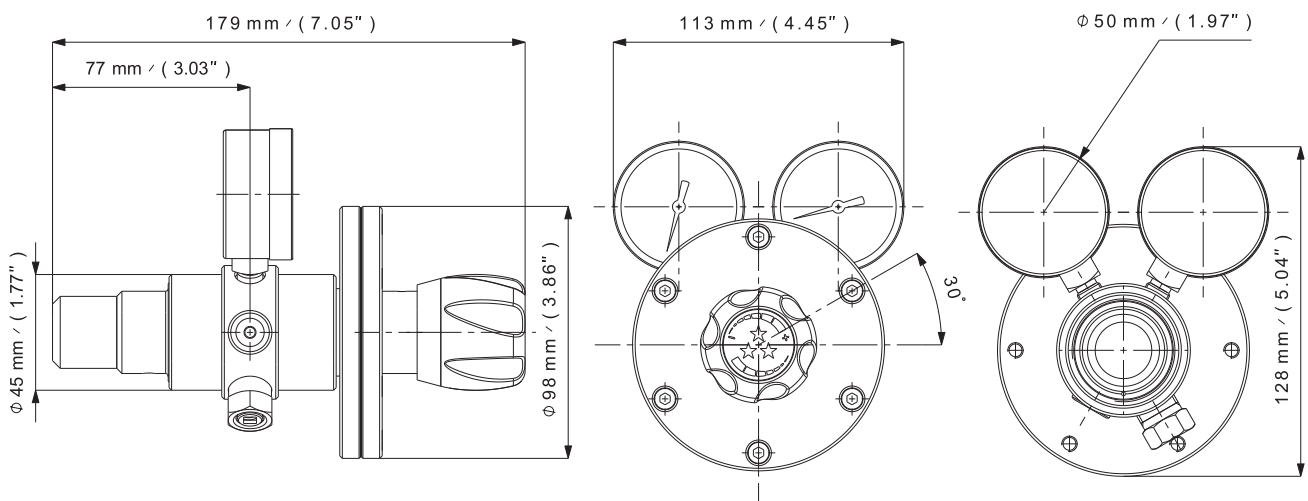
Special requirements on request

## APPLICATIONS

- Designed for cylinder regulator applications.
- Ideally suited for pure, inert and mildly corrosive gas applications requiring a very stable, very sensitive and very low outlet pressure.

## KEY FEATURES

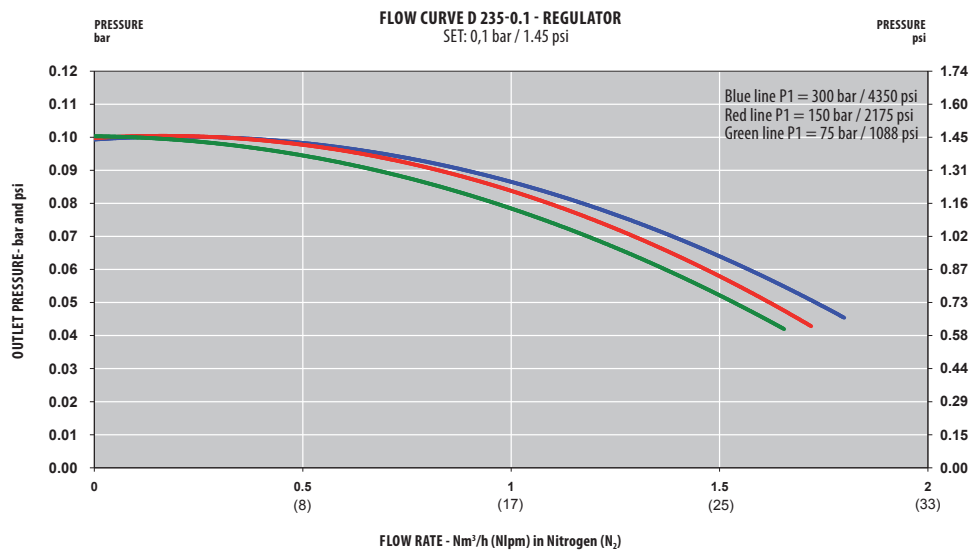
- The DL 235-0.1 regulator is based on the SL 20-0.1 proven low pressure regulator.
- Guarantees a stable low flow due to the large diaphragm.
- Could be also equipped with a needle or shut off valve at the outlet.



**SPECIFICATIONS**

<b>Female ports</b>	16 x 1.336 (inlet) - G 3/8 (outlet) or 1/4 NPT (inlet/outlet)	<b>Weight</b>	± 1,45 kg ± 3.2 lbs	<b>Inlet pressure</b>	300 bar 4350 psi
<b>Seat seal</b>	PCTFE	<b>Leak rate</b>	10 <sup>-8</sup> mbar ℓ/s He	<b>Outlet pressure</b>	0,1 bar 1.4 psi
<b>O-ring</b>	EPDM - Standard NBR FPM	<b>Temperature range</b>	- 20°C to + 60°C - 4°F to + 140°F	<b>Nominal Flow</b>	0,5 Nm <sup>3</sup> /h (N <sub>2</sub> )
<b>Diaphragm</b>	AISI 304	<b>Gauges</b>	High and low pressure (M10 x 1 or 1/4 NPT)	<b>Oxygen use</b>	Brass only

**FLOW CURVES**



**PRODUCT CONFIGURATOR**

D	Body Material		235	0.1	End Connections		O-ring Material	Gauges	
	L	L			N	16	EPDM	Without	0
	Chrome plated brass	L			In: 16 x 1.336 Out: G 3/8 NPT 1/4 (inlet/outlet)	N	NBR	With	1
							FPM		