

SERIES SC 280 - SC 380 | SINGLE STAGE HP CARTRIDGE REGULATOR

- Diaphragm Single Stage
- Purity up to 6.0
- Inlet Pressure:
200 bar (2900 psi)
300 bar (4350 psi)
- Outlet Pressure:
1,5/4/10/16/35 bar
21.75/58/145/232/508 psi

- ★ Compact and lightweight design
- ★ 1 Inlet / 1 Outlet
- ★ O₂ application compatible (see technical data)
- ★ Inlet / Outlet pressure gauge
- ★ Rear threads for panel mounting
- ★ 1 relief valve

Special requirements on request

APPLICATIONS

- Designed for cylinder regulator applications
- Ideally suited for pure, inert and corrosive gas
- Applications such as:
 - Calibration gases
 - Controlled atmosphere
 - High purity gas carrying

KEY FEATURES

- This single stage regulator is based on the Cartridge seat Technology.
- Compact, ergonomic and lightweight design makes this regulator suitable for many applications.
- Accurate pressure control for reliable service.
- Handwheel in compliance with ATEX regulation and easy to clean
- Could be equipped with a shut off valve
- Relief valve seat seals material*
 - Brass Version: EPDM
 - Stainless Steel: FPM

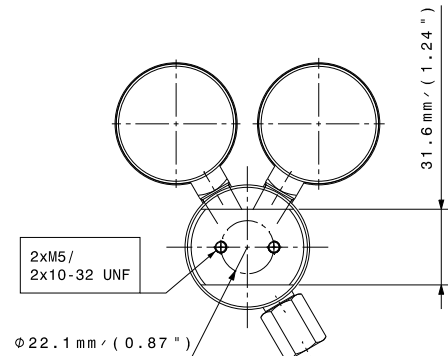
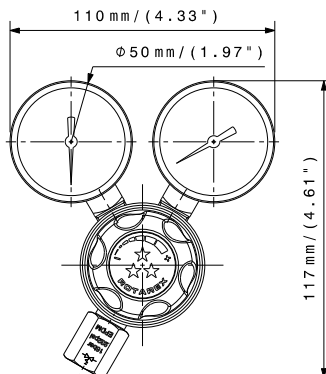
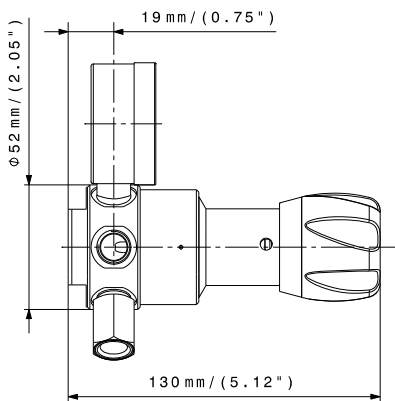
*Other on demand



To be connected with cylinder connectors



Refer to page 90

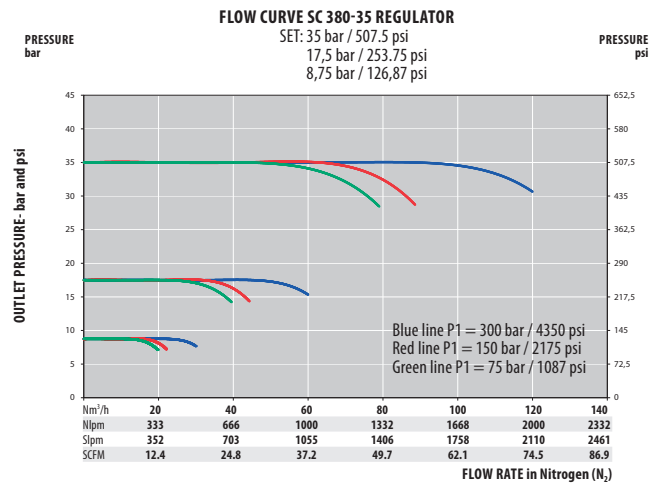
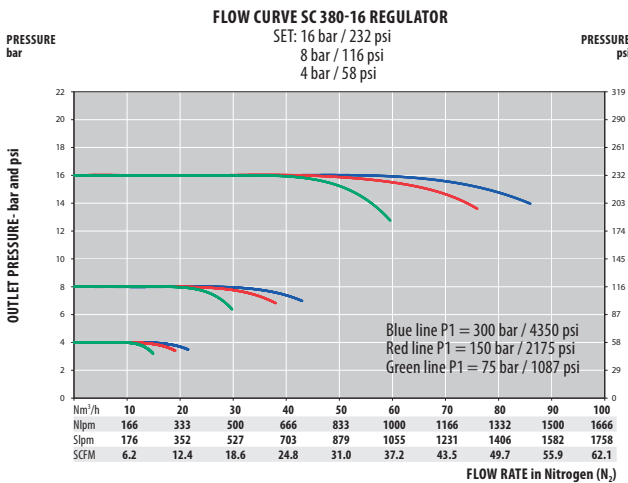
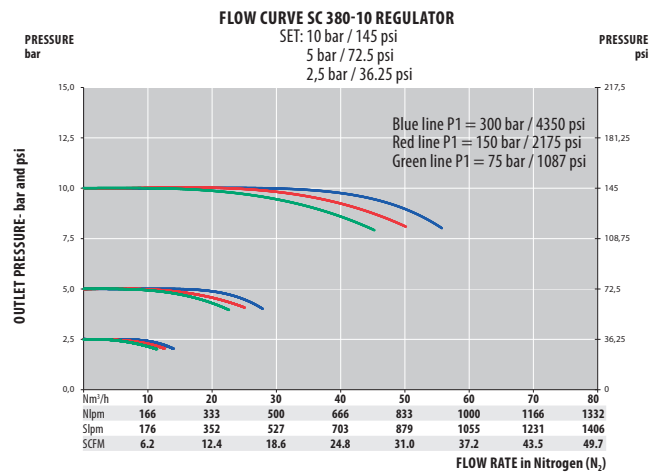
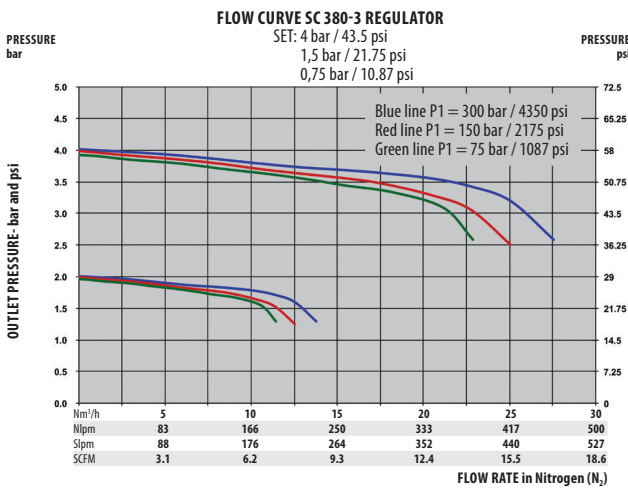




SPECIFICATIONS

Female ports	¼" NPT (inlet / outlet)	Weight	± 1,1 kg ± 2,4 lbs	Inlet pressure	200/300 bar 2900/4350 psi
Valve seal	PCTFE	Leak rate	10 ⁻⁸ mbar ℓ/s He	Outlet pressure	1,5/4/10/16/35 bar 21.75/58/145/232/508 psi
O-ring	PTFE	Temperature range	- 40°C to + 60°C - 40°F to + 140°F	Nominal Flow Cv	1/2/10/20/30 Nm ³ /h (N ₂) 0.1
Diaphragm	Hastelloy®	Gauges	High and low pressure (¼ NPT)	Oxygen use	OK with brass and stainless steel

FLOW CURVES



PRODUCT CONFIGURATOR

	Body Material	Inlet Pressure	Port Configuration	Outlet pressure	Inlet Connection	Outlet Connection	Gauges	Gas Type
SC	L	280	R	10	N	N	1	N2
	Chrome plated brass	L 200 bar / 2900 psi	Right inlet	R 1,5 bar / 21.75 psi	¼ NPT	N ¼ NPT	Without	0
	Stainless steel	I 300 bar / 4350 psi	Left inlet	L 4 bar / 58 psi	Compression tube fitting UMSI6	6 Compression tube fitting UMSI6	With	1
				10 bar / 145 psi	Compression tube fitting UMSI8	8 Compression tube fitting UMSI8		
				16 bar / 232 psi	Compression tube fitting UMSI½"	½" Compression tube fitting UMSI½"		
				35 bar / 508 psi	Compression tube fitting UMSI¼"	¼" Compression tube fitting UMSI¼"		