

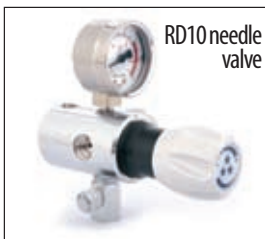
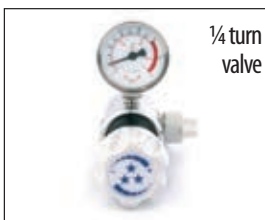
SERIES S 21 | POINT OF USE

TEESING
WWW.TEESING.COM

- Bellow single stage
- Purity up to 6.0
- Inlet pressure:
50 bar (725 psi)
- Outlet pressure:
1/3/10 bar
14.5/44/145 psi
- Acetylene version (AD - C₂H₂):
P1 = 20 bar (290 psi)
P2 = 1,5 bar (21.75 psi)

- ★ Precise pressure delivery
- ★ Compact design
- ★ 2 inlets / 1 outlet
- ★ Rear Inlet for panel mounting
- ★ Integrated ¼ or multi-turn shutoff valve
- ★ O₂ applications compatible (see technical data)

Special requirements on request

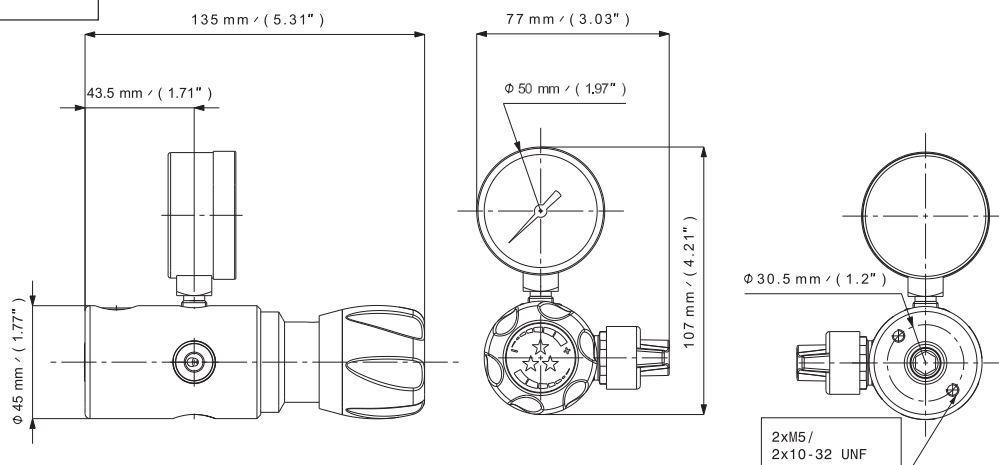


APPLICATIONS

- Used as a line regulator or point of use for specialty gas applications.

KEY FEATURES

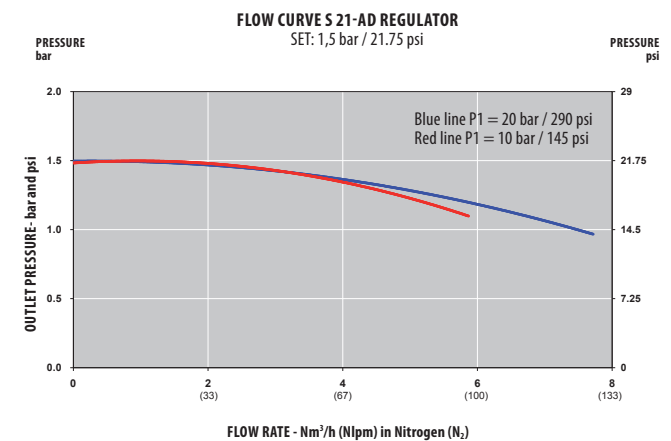
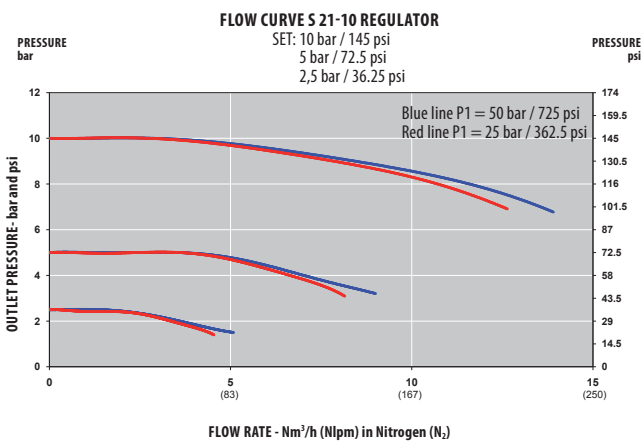
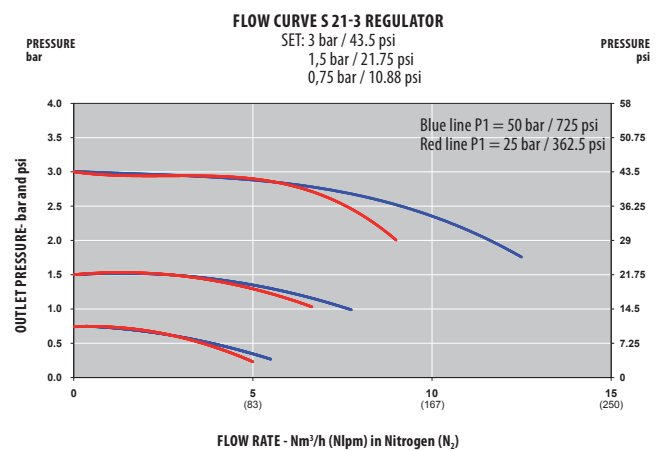
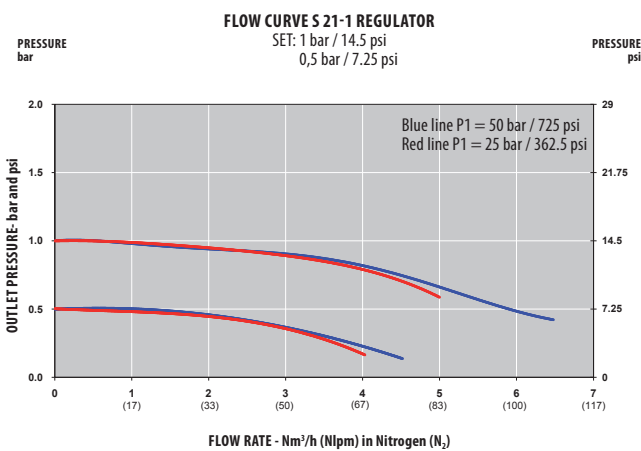
- Based on the Series S 20 technology.
- Bellow technology provides a large range of accurate outlet pressures in a compact design.
- With the rear threads and fixing ring (option) it can be used for wall or panel mounting.
- Acetylene version also available.
- For use with acetylene, this product must imperatively be installed with a flash back arrestor complying with standard EN 730 located downstream.
- The inlet shut off valve reduces the risk of gas dispersion when closed.



SPECIFICATIONS

Female ports	G 3/8 (inlet/outlet) or 1/4 NPT (inlet/outlet)	Weight	± 0,9 kg ± 2.0 lbs	Inlet pressure	50 bar (725 psi) AD: 20 bar (290 psi)
Seat seal	EPDM	Leak rate	10 ⁻⁸ mbar ℓ/s He	Outlet pressure	1/3/10 bar 14.5/44/145 psi AD: 1,5 bar (21.75 psi)
O-ring	EPDM - Standard NBR FPM	Temperature range	-20°C to + 60°C -4°F to + 140°F	Nominal Flow	2/2,5/3,5 Nm ³ /h (N ₂) AD: 1 Nm ³ /h
Diaphragm (Valve)	Hastelloy®	Gauges	Low pressure (M10 x 1 or 1/4 NPT)	Oxygen use	inlet pressure ≤ 30 bar max. for brass and stainless steel
Bellow	Bronze (Brass version) AISI 316L (SS version)				

FLOW CURVES



PRODUCT CONFIGURATOR

Body Material		Outlet Pressure	End Connections	O-ring Material	Gauge	Shut-off valve	Plate		
S	L	S 21	10	G	EPDM	1	STD		
	Chrome plated brass	1 bar / 14.5 psi	1 G 3/8 - G 3/8	G	EPDM - standard	Without	0 1/4 turn valve	1/4 V Without plate	STD
	Stainless steel	3 bar / 44 psi	3 1/4 NPT - 1/4 NPT	N	NBR	With	1 Multi-turn valve	MV Mounted on an aluminum stand	EMB
		10 bar / 145 psi	10		FPM			With metal plate	M
		Acetylene version / 1,5 bar (21.75 psi)	AD						

LABLINE 22 | MODULAR POINT OF USE

- Bellow single stage
- Purity up to 6.0
- Inlet pressure: 50 bar (725 psi)
- Outlet pressure: 1/3/10 bar 14.5/44/145 psi
- Acetylene version (AD - C₂H₂): P1 = 20 bar (290 psi) P2 = 1,5 bar (21.75 psi)

- ★ Accurate pressure delivery
- ★ Compact design
- ★ 1 inlet / 2 outlets
- ★ Modular concept
- ★ O₂ applications compatible (see technical data)

Special requirements on request

APPLICATIONS

- A terminal point of use for specialty gas applications in a laboratory or in a workshop.

KEY FEATURES

- Based on the Series 20 platform
- Bellow technology provides a large range of accurate outlet pressures in a compact design.
- Acetylene version also available.
- For use with acetylene, this product must imperatively be installed with a flash back arrestor complying with standard EN 730 located downstream.
- With the inlet shut off valve the regulator is independent from the installation and can be easily removed.



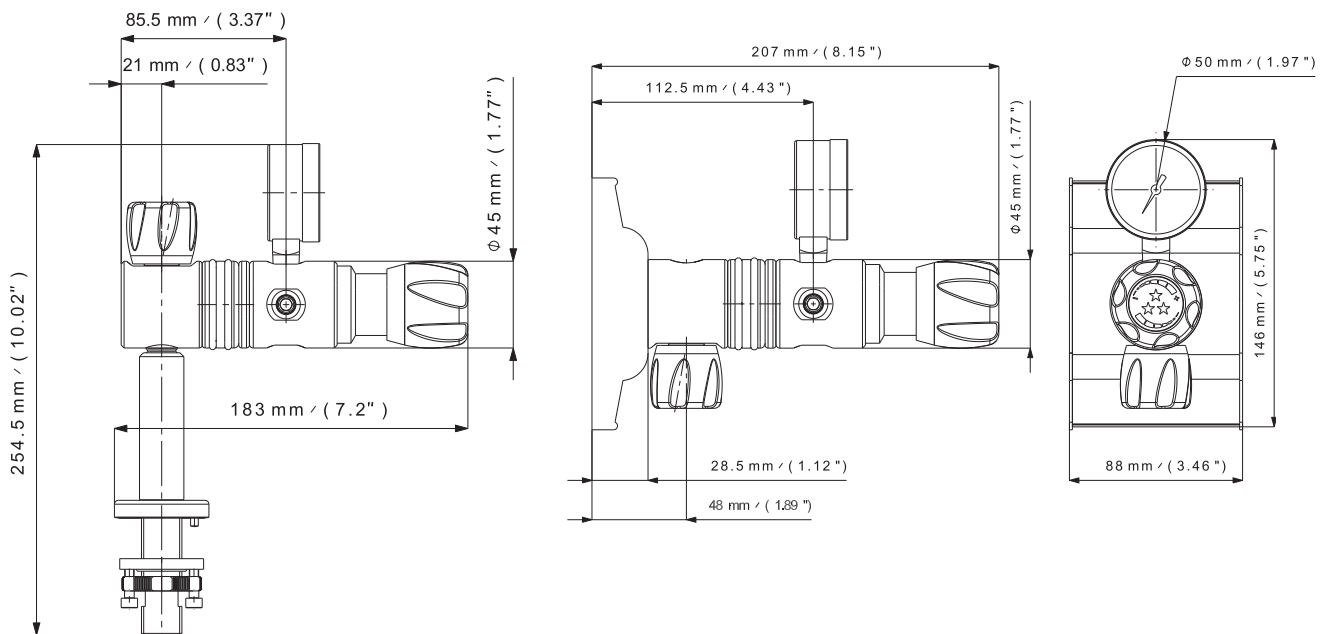
SLS22-EMB-10-G-EPDM-1-MV version



EMB version w/ MV valve

M version w/ 1/4V valve

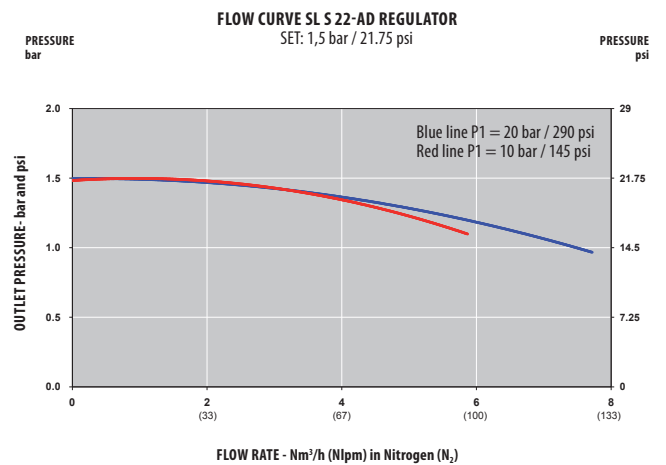
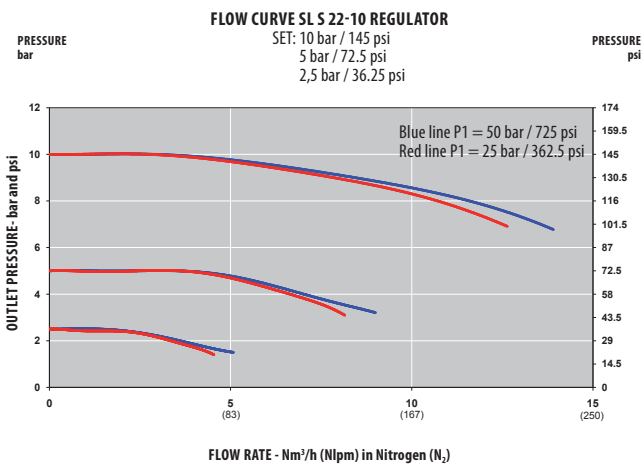
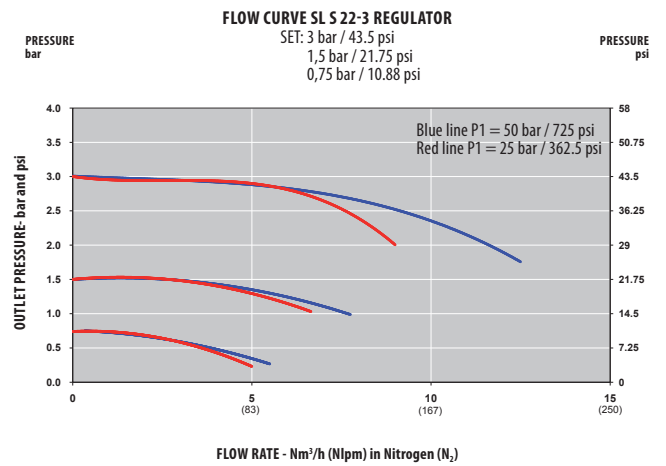
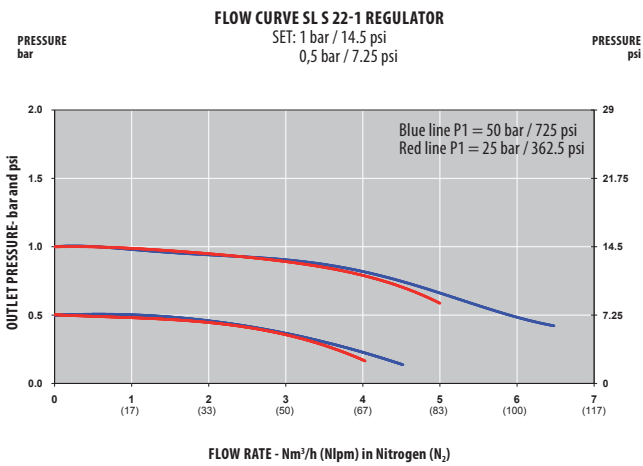
COL version w/ MV valve



SPECIFICATIONS

Female ports	F: G ¼ (inlet-COL version) G ¾ or ¼ NPT (inlet) G ¾ or ¼ NPT (outlet)	Weight	± 1,5 kg ± 3.3 lbs	Inlet pressure	50 bar (725 psi) AD: 20 bar (290 psi)
Seat seal	EPDM	Leak rate	10 ⁻⁸ mbar ℓ/s He	Outlet pressure	1/3/10 bar 14.5/44/145 AD: 1,5 bar (21.75 psi)
O-ring	EPDM - Standard NBR FPM	Temperature range	-20°C to + 60°C -4°F to + 140°F	Nominal Flow	2/2,5/3,5 Nm³/h (N₂) AD: 1 Nm³/h
Diaphragm	Hastelloy®	Gauges	Low pressure (M10 x 1 or ¼ NPT)	Oxygen use	inlet pressure ≤ 30 bar max. for brass and stainless steel
Bellow	Bronze or AISI 316L (SS version)				

FLOW CURVES



PRODUCT CONFIGURATOR

Body Material		Version	Outlet Pressure	End Connection	O-ring Material	Gauges	Valve
S	L	S22	EMB	10	G	1	¼V
	Chrome plated brass	With Aluminum stand	EMB	1 bar / 14.5 psi	1 G ¾ - Female (outlet)	0	¼ turn valve
	Stainless steel	With pillar	COL	3 bar / 44 psi	3 NPT ¼ (outlet)	1	Multi-turn valve
		With Metal Plate	M	10 bar / 145 psi	10 Note: inlet G ¼ with COL version		
			AD	Acetylene version 1,5 bar / 21.75 psi			

MONO SERIES S 15 | COMPACT POINT OF USE

TEESING
WWW.TEESING.COM

- Diaphragm single stage
- Balanced-Valve Technology
- Purity up to 6.0
- Inlet pressure:
25 bar (360 psi)
- Outlet pressure:
10 bar (145 psi)

- ★ Compact design
- ★ Reduction of connection (avoid leakage)
- ★ High Flow
- ★ 2 inlets/ 2 outlets
- ★ Rear inlet for front panel mounting
- ★ O₂ application compatible

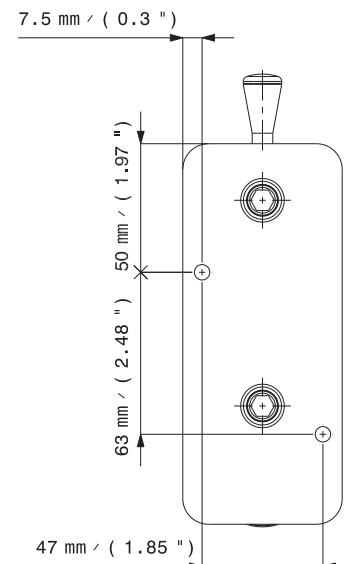
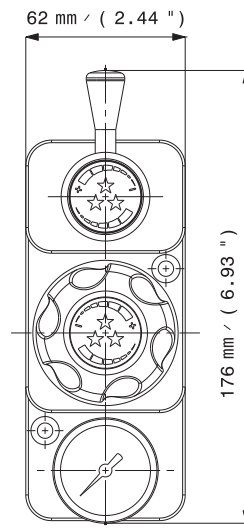
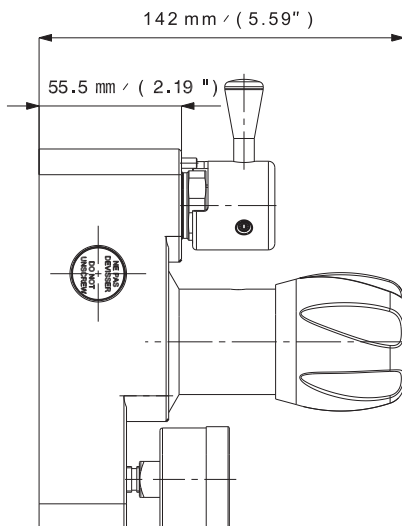
Special requirements on request

APPLICATIONS

- A terminal point of use for specialty gas applications in a laboratory or in a workshop.

KEY FEATURES

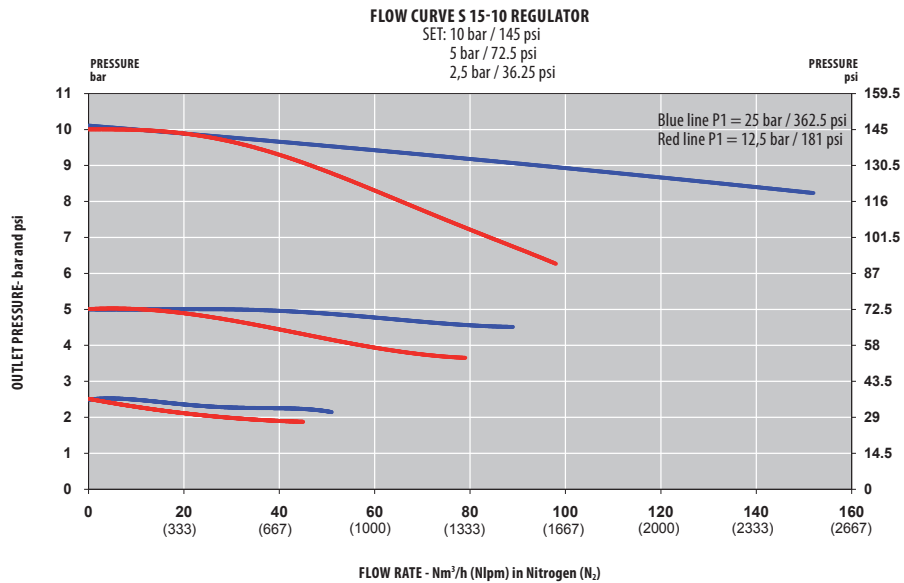
- Made up with a Series S 15 type regulator and a VLM 200 valve.
- Best-in-class pressure stability with Balanced-Valve Technology: the effect of inlet pressure fluctuations on outlet pressure are minimized. BV-technology enables the delivery of a very stable outlet pressure and flow even with high flow line regulators.
- Reduces the strain on the seat to increase regulator life and reduce the ownership cost.
- Compact outline dimensions and ergonomic design make this point of use suitable for laboratory furniture.



SPECIFICATIONS

Female ports	G 3/8 (inlet/outlet) or 1/4 NPT (inlet/outlet)	Weight	Aluminum: ± 1,86 kg (± 4.10 lbs) Stainless steel: ± 3,8 kg (± 8.37 lbs)	Inlet pressure	25 bar 360 psi
Seat seal	EPDM	Leak rate	10 ⁻⁸ mbar ℓ/s He	Outlet pressure	10 bar 145 psi
O-ring	EPDM - Standard NBR FPM	Temperature range	-20°C to + 60°C -4°F to + 140°F	Nominal Flow	50 Nm ³ /h (N ₂)
Diaphragm	AISI 304 (aluminum version) Hastelloy® (SS version)	Gauges	Low pressure (M10 x 1)	Oxygen use	OK

FLOW CURVES



PRODUCT CONFIGURATOR

		Body Material		Outlet Pressure		End Connections		O-ring Material	Configuration	
M	S	A	15	10	10	G	G	EPDM	A	A
		Aluminum	A	10 bar 145 psi		G 3/8 - G 3/8	G	EPDM - standard	Standard configuration	A
		Stainless steel	I			1/4 NPT - 1/4 NPT	N	NBR	reverse gauge (180°)*	R
								FPM		

*Inlet Down - outlet Top

MONO SERIES S 20 | COMPACT POINT OF USE

- Bellow single stage
- Purity up to 6.0
- Inlet pressure: 50 bar (725 psi)
- Outlet pressure: 1/3/10 bar (14.5/44/145 psi)
- Acetylene version (AD - C₂H₂): P1 = 20 bar (290 psi) P2 = 1,5 bar (21.75 psi)

- ★ Accurate pressure delivery
- ★ Compact design
- ★ 2 inlets / 2 outlets
- ★ Rear inlet for front panel mounting
- ★ O₂ application compatible (see technical data)

Special requirements on request

APPLICATIONS

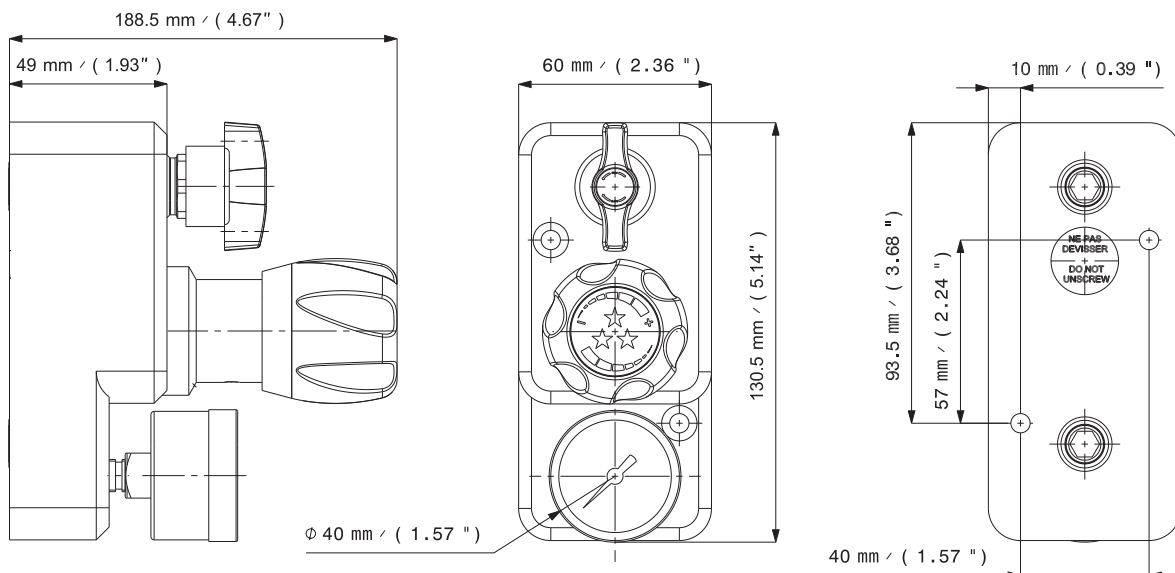
- A terminal point of use for specialty gas applications in a laboratory or a workshop.

KEY FEATURES

- Made up with a Series S 20 type regulator and a VM 20 valve.
- Compact outline dimensions and ergonomic design make this point of use suitable for laboratory furniture.
- Acetylene version also available.
- For use with acetylene, this product must imperatively be installed with a flash back arrestor complying with standard EN 730 located downstream.
- The Mono S 20 can be integrated easily on furniture due to its compact design



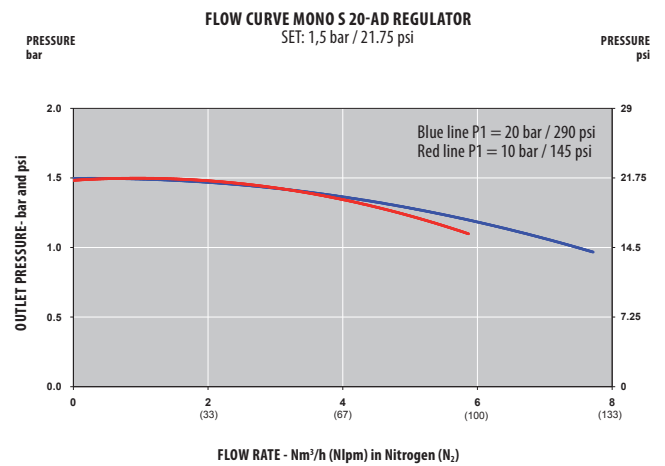
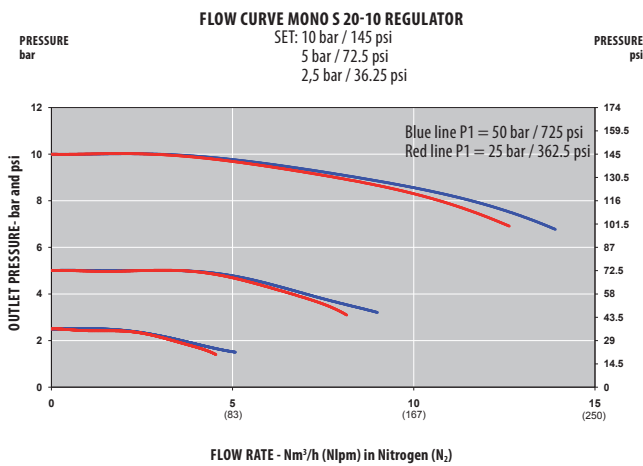
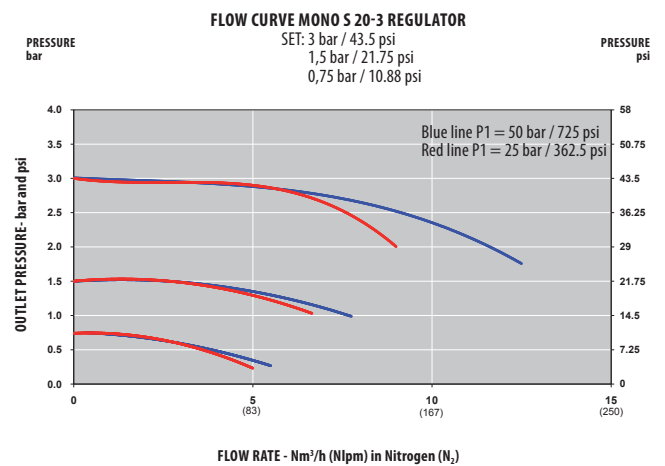
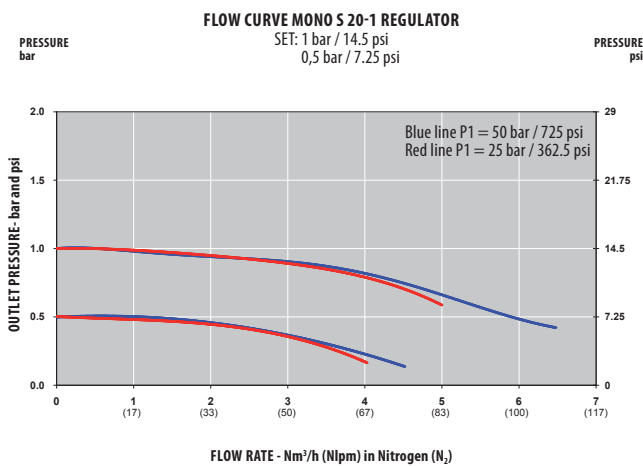
Acetylene version



SPECIFICATIONS

Female ports	G 3/8 (inlet/outlet) or 1/4 NPT (inlet/outlet)	Weight	Aluminum: ± 1,25 kg (± 2.75 lbs) Stainless steel: ± 2,75 (± 6.06 lbs)	Inlet pressure	50 bar (725 psi) AD: 20 bar (290 psi)
Seat seal	EPDM	Leak rate	10 ⁻⁸ mbar ℓ/s He	Outlet pressure	1/3/10 bar 14.5/44/145 psi AD: 1,5 bar (21.75 psi)
O-ring	EPDM - Standard NBR FPM	Temperature range	-20°C to + 60°C -4°F to + 140°F	Nominal Flow	2/2,5/3,5 Nm ³ /h (N ₂) AD: 1 Nm ³ /h
Diaphragm (valve)	Hastelloy®	Gauges	Low pressure (M10 x 1)	Oxygen use	inlet pressure ≤ 30 bar max. for aluminum and stainless steel
Bellow	Bronze or AISI 316L (SS version)				

FLOW CURVES



PRODUCT CONFIGURATOR

		Body Material		Outlet Pressure	End Connections	O-ring Material	Configuration			
M	S	A		20	8	G	A			
		Aluminum	A	1 bar 14.5 psi	1	G 3/8 - G 3/8	G	EPDM - standard	Standard configuration	A
		Stainless steel	I	3 bar 44 psi	3	1/4 NPT - 1/4 NPT	N	NBR	reverse gauge (180°)*	R
				10 bar 145 psi	10			FPM		
				Acetylene version 1,5 bar (21.75 psi)	AD					

*Inlet Down - outlet Top

MONO SERIES 40 | COMPACT POINT OF USE

TEESING
WWW.TEESING.COM

- Bellow single stage
- Purity up to 6.0
- Inlet pressure:
50 bar (725 psi)
- Outlet pressure:
1/3/10 bar (14.5/44/145 psi)
- Acetylene version (AD - C₂H₂):
P1 = 20 bar (290 psi)
P2 = 1,5 bar (21.75 psi)

- ★ Precise pressure delivery
- ★ Compact design
- ★ 3 inlets / 3 outlets
- ★ 1 integrated needle valve
- ★ Rear Inlet for panel mounting
- ★ O₂ application compatible (see technical data)

Special requirements on request



Acetylene version

APPLICATIONS

- Used as a point of use for laboratory applications
- Suitable for all applications requiring the regulation of flow.

KEY FEATURES

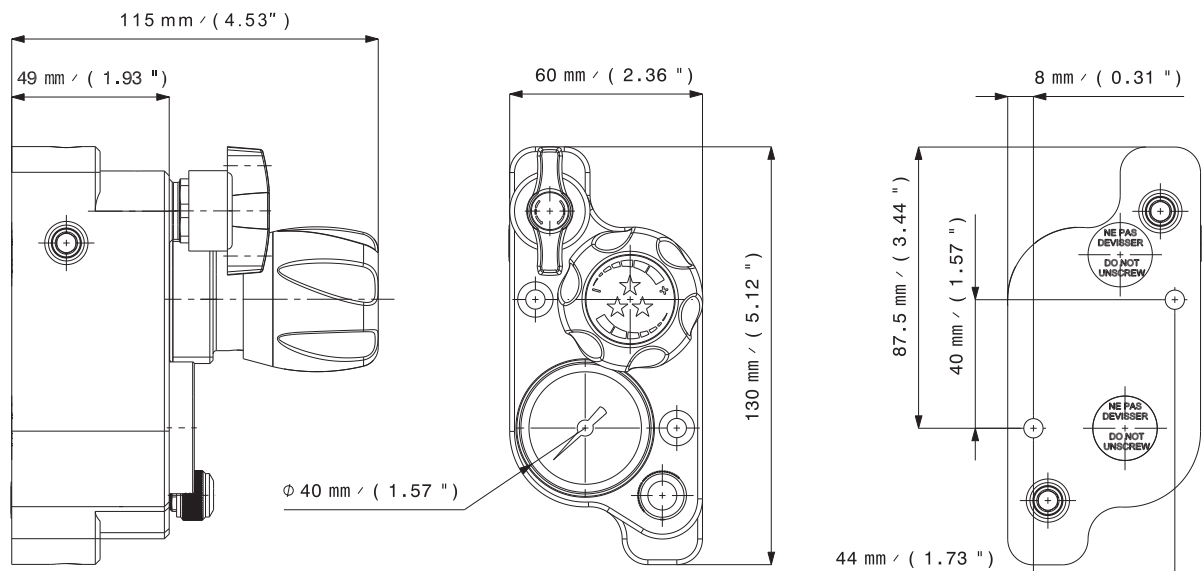
- Made up with a Series S 20 type regulator, a VM 20 valve and a RDL 10 regulation needle valve.
- Compact outline dimensions and ergonomic design make this point of use suitable for laboratory furniture.
- Vertical or horizontal orientation.
- Acetylene version available.
- For use with acetylene, this product must imperatively be installed with a flash back arrestor complying with standard EN 730 located downstream.



Horizontal version



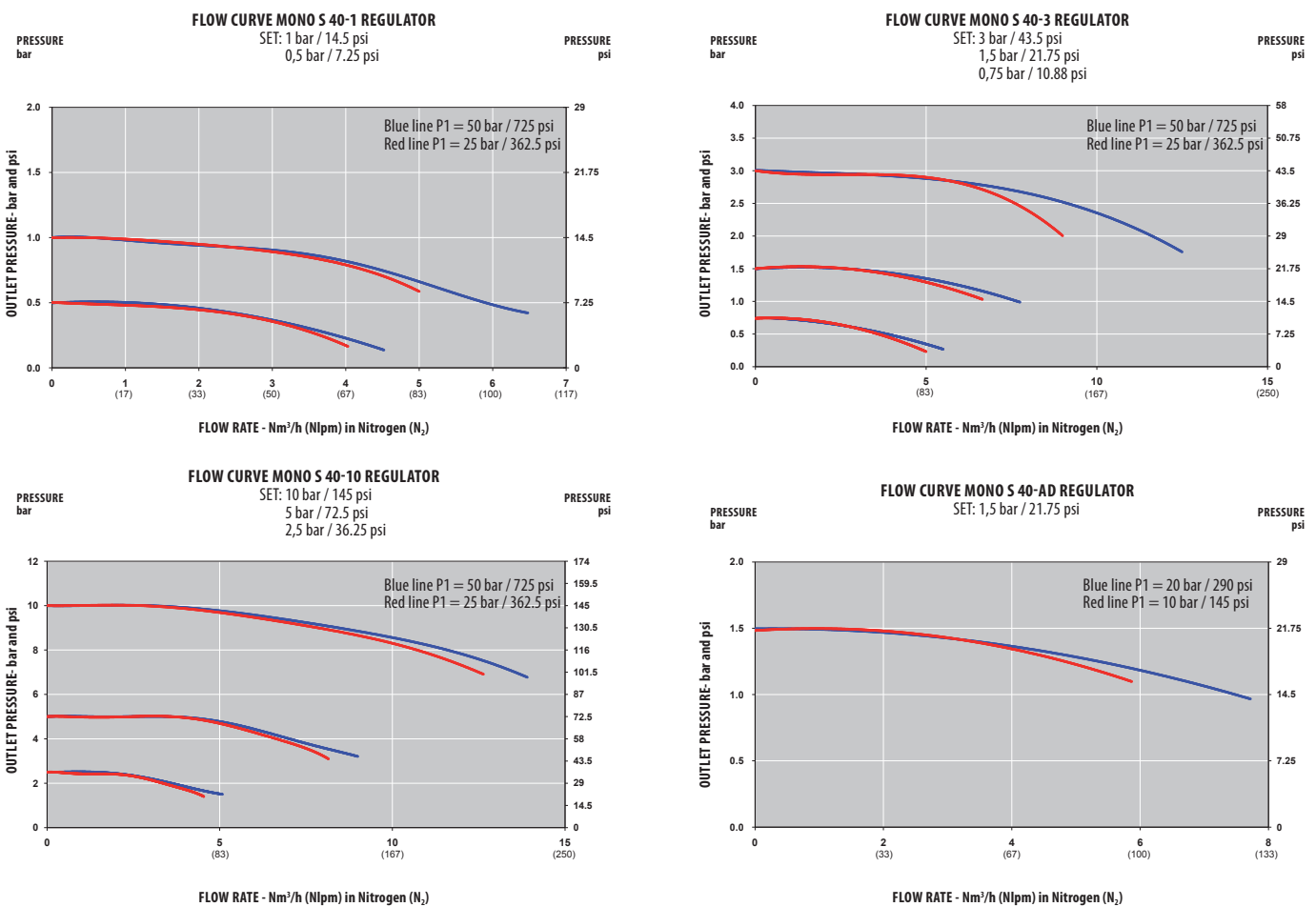
Vertical version



SPECIFICATIONS

Female ports	G ¼ (inlet/outlet) or ¼ NPT (inlet/outlet)	Weight	Aluminum: ± 1 kg (± 2.20 lbs) Stainless steel: ± 2 kg (± 4.40 lbs)	Inlet pressure	50 bar (725 psi) AD: 20 bar (290 psi)
Seat seal	EPDM (Alu version) FPM (SS version)	Leak rate	10 ⁻⁷ mbar ℓ/s He	Outlet pressure	1/3/10 bar 14.5/44/145 psi AD: 1,5 bar (21.75 psi)
O-ring	EPDM (Alu version) FPM (SS version) NBR	Temperature range	-20°C to + 60°C -4°F to + 140°F	Nominal Flow	2/2,5/3,5 Nm ³ /h (N ₂) AD: 1 Nm ³ /h
Valve Diaphragm	Hastelloy®	Gauges	Low pressure (M10 x 1)	Oxygen use	inlet pressure ≤ 30 bar max. for aluminum and stainless steel
Bellow	Bronze (Alu version) or AISI 316L (SS version)				

FLOW CURVES



PRODUCT CONFIGURATOR

		Body Material		Outlet Pressure		End Connections		O-ring Material	Mounting Options		Orientation	
M	S	A	40	10	1	G	G	EPDM	A	A	V	V
		Aluminum	A	1 bar 14.5 psi	1	G ¼ - Female	G	EPDM - standard (Aluminum version)	Without plate - standard	A	Vertical	V
		Stainless steel	I	3 bar 44 psi	3	¼ NPT - Female	N	FPM - standard (SS version)	With plate	P	Horizontal	H
				10 bar 145 psi	10			NBR				
				Acetylene version 1,5 bar 21.75 psi	AD							