

SERIES S 20 AD | LINE REGULATOR FOR ACETYLENE (C₂H₂)

TEESING
WWW.TEESING.COM

- Bellow single stage
- Purity up to 6.0
- Inlet pressure:
20 bar (290 psi)
- Outlet pressure:
1,5 bar (21.75 psi)

- ★ Accurate pressure delivery
- ★ Compact design
- ★ 2 inlets / 2 outlets
- ★ Rear inlet
for panel mounting
- ★ Acetylene applications

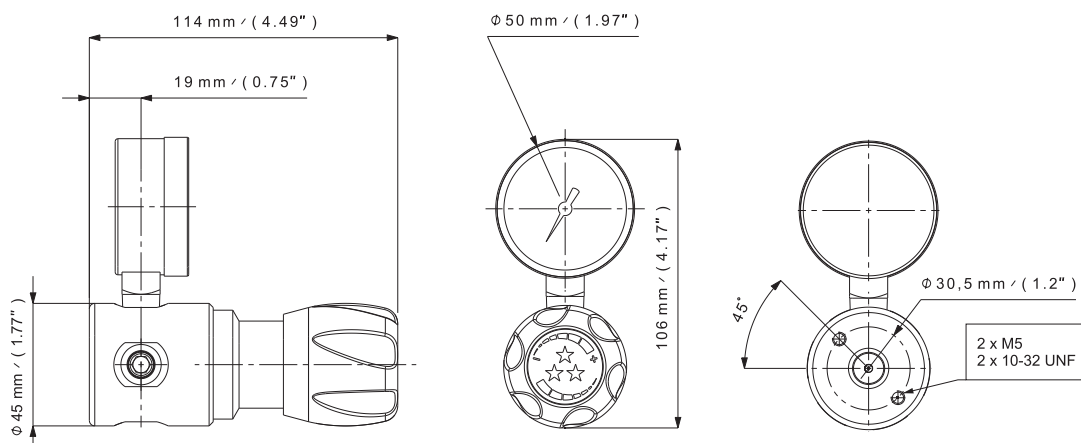
Special requirements on request

APPLICATIONS

- The Series S 20 AD is used as line regulator or point of use for acetylene applications such as atomic absorption analyzers.

KEY FEATURES

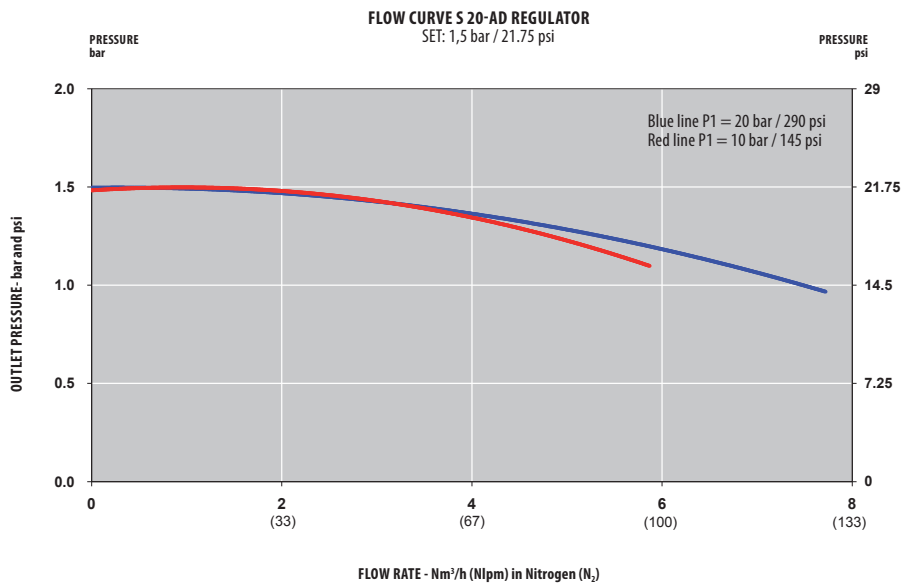
- Bellow technology provides a large range of accurate outlet pressures in a compact design.
- With its compact design, the rear threads and its fixing ring (option) it can be used for wall or panel mounting.
- Multiple mounting positions possible due to multiple inlet ports.
- For use with acetylene: this product must imperatively be installed with a flash back arrestor complying with standard EN 730 located downstream.



SPECIFICATIONS

Female ports	G 3/8 or 1/4 NPT (inlet/outlet)	Weight	± 0,5 kg ± 1.1 lbs	Inlet pressure	20 bar 290 psi
Seat seal	EPDM	Leak rate	10 ⁻⁸ mbar ℓ/s He	Outlet pressure	1,5 bar 21.75 psi
O-ring	EPDM	Temperature range	- 20°C to + 60°C - 4°F to + 140°F	Nominal Flow	1,5 Nm ³ /h (C ₂ H ₂)
Bellow	AISI 316L	Gauges	Low pressure (M10 x 1 or 1/4 NPT)	Oxygen use	No

FLOW CURVES



PRODUCT CONFIGURATOR

S	Body Material		20	AD	End Connections		Gauges		Ports Configuration		Mounting	
	L	L			G	G	1	0	A	A	FR0	
	Chrome plated brass	L			G 3/8 - G 3/8	G	Without	0	Standard Configuration	A	Without Fixing Ring	FR0
					1/4 NPT - 1/4 NPT	N	With	1	Reverse inlet/outlet	R	With Fixing Ring	FR1

SERIES S 25 AD | CYLINDER REGULATOR FOR ACETYLENE (C₂H₂)

TEESING
WWW.TEESING.COM

- Bellow single stage
- Purity up to 6.0
- Inlet pressure:
20 bar (290 psi)
- Outlet pressure:
1,5 bar (21.75psi)

- ★ Accurate pressure delivery
- ★ Compact design
- ★ 1 inlet / 2 outlets
- ★ Rear Inlet with
cylinder connection
- ★ Acetylene applications

Special requirements on request



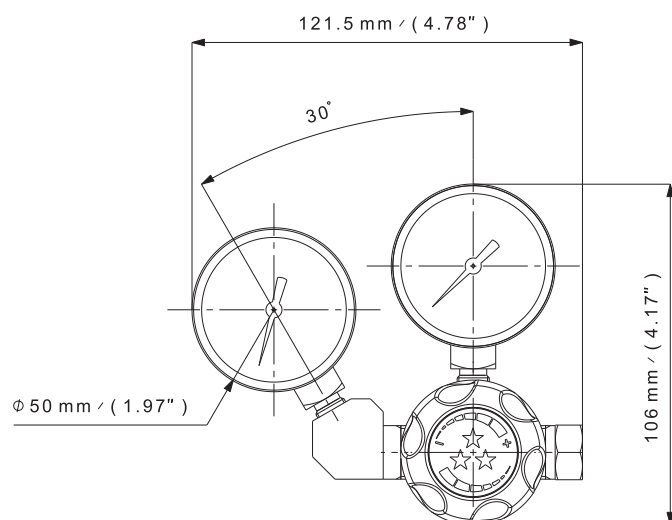
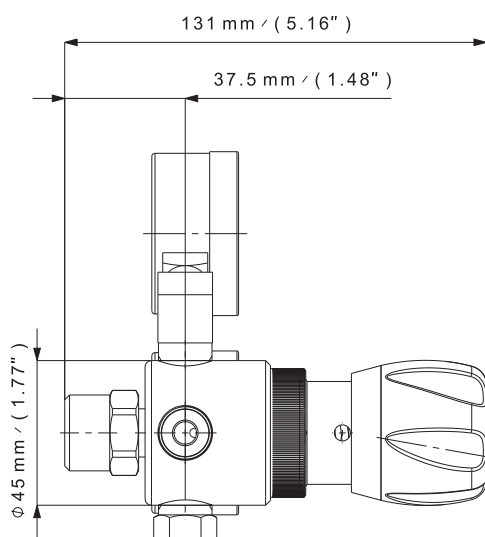
Right view

APPLICATIONS

- Used as a cylinder regulator for acetylene applications such as atomic absorption analyzers.

KEY FEATURES

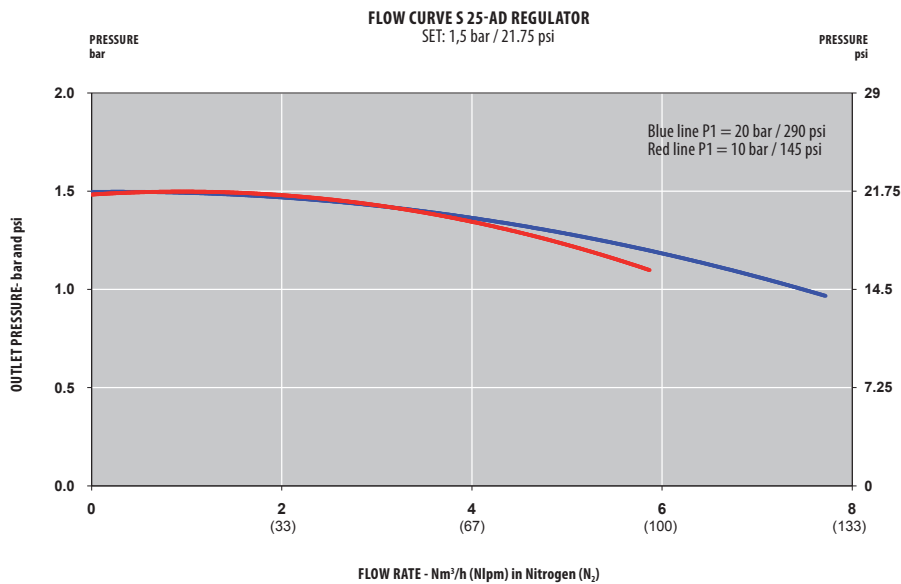
- Bellow technology provides a large range of accurate outlet pressures in a compact design.
- The Series S 25 could be equipped with several cylinder connection types.
- 2 gauges for high and low pressure.
- For use with acetylene, this product must imperatively be installed with a flash back arrestor complying with standard EN 730 located downstream.



SPECIFICATIONS

Inlet ports	C ₂ H ₂ Cylinder connection in accordance to standard	Weight	± 0,5 kg ± 1.1 lbs	Inlet pressure	20 bar 290 psi
Outlet ports	G 3/8 or 1/4 NPT	Leak rate	10 ⁻⁸ mbar ℓ/s He	Outlet pressure	1,5 bar 21.75 psi
Seat seal	EPDM	Temperature range	- 20°C to + 60°C - 4°F to + 140°F	Nominal Flow	1,5 Nm ³ /h (C ₂ H ₂)
O-ring	EPDM	Gauges	High / Low pressure (M10 x 1 or 1/4 NPT)	Oxygen use	No
Bellow	AISI 316L				

FLOW CURVES



PRODUCT CONFIGURATOR

S	L	25	AD	Inlet Connection		Outlet Connection		EPDM	Gauges	Mounting		
				H	H	G 3/8 - G 3/8	G		1	FRO	FRO	
				AFNOR H Type (cylind. connect.)	H	G 3/8 - G 3/8	G		Without high and low pressure gauges	0	Without Fixing Ring	FRO
				British Standard	BS4	1/4 NPT - 1/4 NPT	N		With high and low pressure gauges	1	With Fixing Ring	FR1
				CGA Standard	510							
				DIN Standard	477-12							