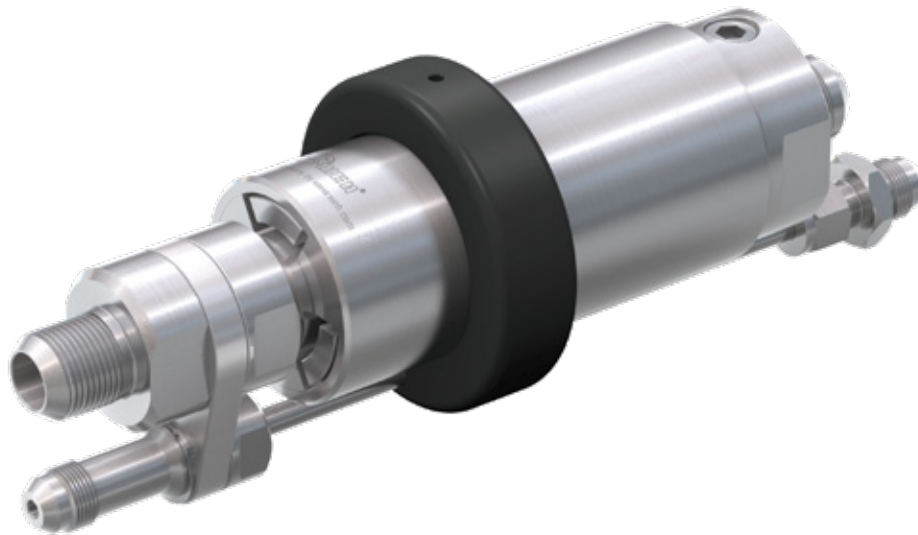


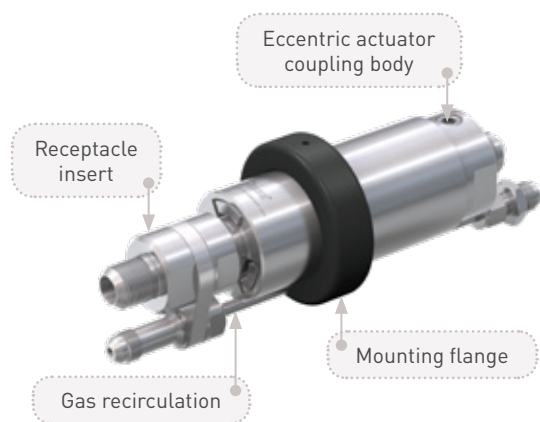
Type **TSA6 H₂**

WEH[®] Inline Breakaway Coupling
for bus and truck fueling stations



General

DESCRIPTION



Features

- Re-usable without factory reservicing
- Installation inbetween the filling and venting hoses
- Small compact design
- Mounting flange
- Eccentric actuation via an allen wrench

The WEH® TSA6 H₂ Inline Breakaway Coupling which is installed inbetween the filling and venting hoses, is also available for bus and truck fueling stations. In the event of accidental deployment, e.g. driving a vehicle from the dispenser with the nozzle remaining in the vehicle fuel port, the coupling will separate the connections between dispenser and hose sealing both ends. This protects largely the receptacle, the fueling nozzle and the dispenser against damage. The detached coupling can be easily reattached and placed back in service after having been function tested.

The WEH® Breakaway Coupling consists of a coupling body, a receptacle insert and a gas recirculation.

On request we also offer complete nozzle-hose-assemblies consisting of a fueling nozzle, a hose set and an inline break-away coupling.

Application

Inline breakaway coupling for bus and truck fueling stations for installation inbetween the filling and venting hoses.

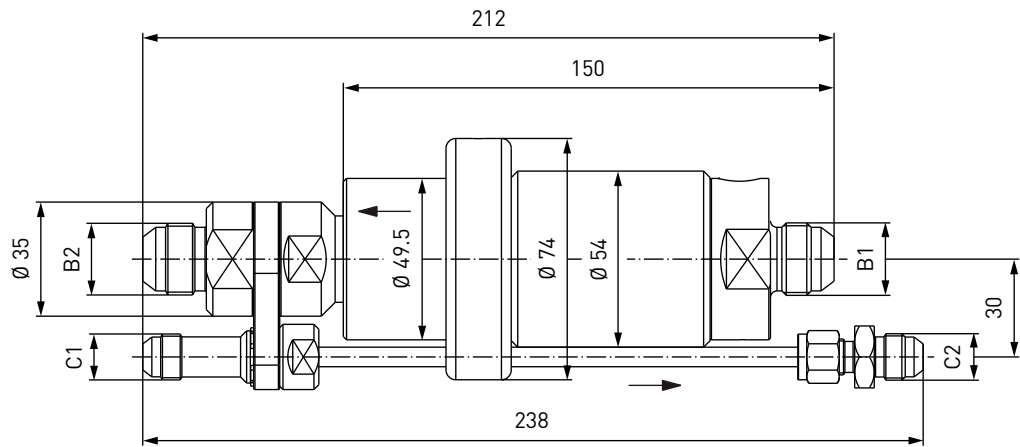
TECHNICAL DATA

Characteristic	Basic version	Options
Nominal bore DN	12 mm	On request
Pressure range	PN = 350 bar (5,000 psi) PS = 450 bar PT = 675 bar	
Temperature range	-40 °F up to +185 °F	On request
Breakaway force	300 - 600 N	On request
Material	Corrosion resistant stainless steel, aluminium	On request
Sealing material	Hydrogen compatible	On request
Design	With gas recirculation	On request

Ordering

ORDERING | WEH® TSA6 H₂ Inline Breakaway Coupling with gas recirculation

approx. dimensions (mm)



Part No.	Description	DN	Pressure (PN)	B1/B2 (male thread)	C1/C2 (male thread)
C1-82323-X01	TSA6 H ₂	12	350 bar / 5,000 psi	UNF 7/8"-14*	UNF 9/16"-18*

* acc. to SAE J514, 37°

Accessories

ACCESSORIES

The following accessories are available for the WEH® TSA6 H₂ Inline Breakaway Coupling:

Filling and venting hoses

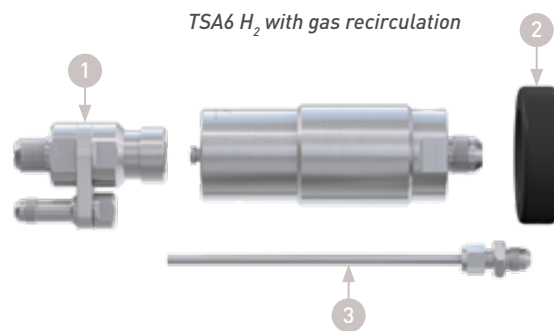
Suitable filling and venting hoses for the TSA6 H₂ inline breakaway coupling are available on request.

Fittings

Stainless steel fittings for connecting port 'B1/B2' to the filling hose resp. port 'C1/C2' to the venting hose are available on request.

Spare parts

Various parts are available as spares for the TSA6 H₂ breakaway coupling:



Part No.	Description
C1-82779	1 Receptacle insert for TSA6 H ₂ with gas recirculation
C1-106550	2 Mounting flange
E80-71101	3 Gas recirculation tube, straight
C1-119726	Spare seal set for receptacle insert W82779

Other products

OTHER PRODUCTS

You will find more products in our current catalog no. 50



Further information on our homepage
www.weh.com

Abbreviations/Definition

Explanation of abbreviations see technical appendix in the catalogue or www.weh.com

Safe product selection

Our WEH® Products are designed to be operated by qualified professional users (insofar as WEH® Products are also designed to be operated by other users in individual cases, this is explicitly stated in the corresponding operating instructions). You alone are responsible for the selection of WEH® Products and their configuration according to the requirements of your system. In doing so, please particularly consider your intended use, your performance data, your material compatibility, your system concept and your system limits as well as your technical and legal requirements for operation, handling and maintenance. The quality and safety of WEH® Products is our highest priority. For this reason, WEH® Products may not be used outside the specifications in the relevant data sheets and product descriptions. We also strongly recommend that you refrain from using third-party spare parts or a combination of WEH® Products with unsuitable third-party products. You alone are responsible for reviewing the suitability of third-party products. WEH® Products and WEH® Spare parts comply with our quality and safety standards.

Explanation on the Pressure Equipment Directive

These WEH® Products are generally and exclusively classified as pressure accessories for piping in accordance with Article 2 (5) of the Pressure Equipment Directive 2014/68/EU. These WEH® Products may not be used (i) as safety accessories or (ii) for vessels as defined by the Pressure Equipment Directive 2014/68/EU. Therefore, the application of these WEH® Products must comply with their classification as pressure accessories for piping. The assessment with regard to a different classification can, however, be made on request.

External change management

WEH reserves the right to update, optimise and adjust its products continuously. This may result in corresponding changes of the product. Customers will be informed proactively or unsolicited by WEH only in individual cases about product updates, product optimisations and/or product adaptations that have been carried out. You are free to contact WEH at any time to request information about any product updates, product optimisations and/or product adjustments.

© All rights reserved, WEH GmbH. Any unauthorized use is strictly forbidden. Subject to alteration.
 No liability will be assumed for any content. Herewith previous versions are no longer valid.

» Contacting

For queries and further information, please do not hesitate to contact us.

Manufacturer:

WEH GmbH Gas Technology

Josef-Henle-Str. 1
 89257 Illertissen / Germany

Phone: +49 7303 95190-0
 Fax: +49 7303 95190-9999

Email: h2sales@weh.com
www.weh.com

Distributor US:



WEH Technologies Inc.

24903 Laguna Edge Drive
 Katy, TX 77494 / USA

Phone: +1 832 331 0021
 Fax: +1 281 712 2664

Email: sales@weh.us
www.weh.us