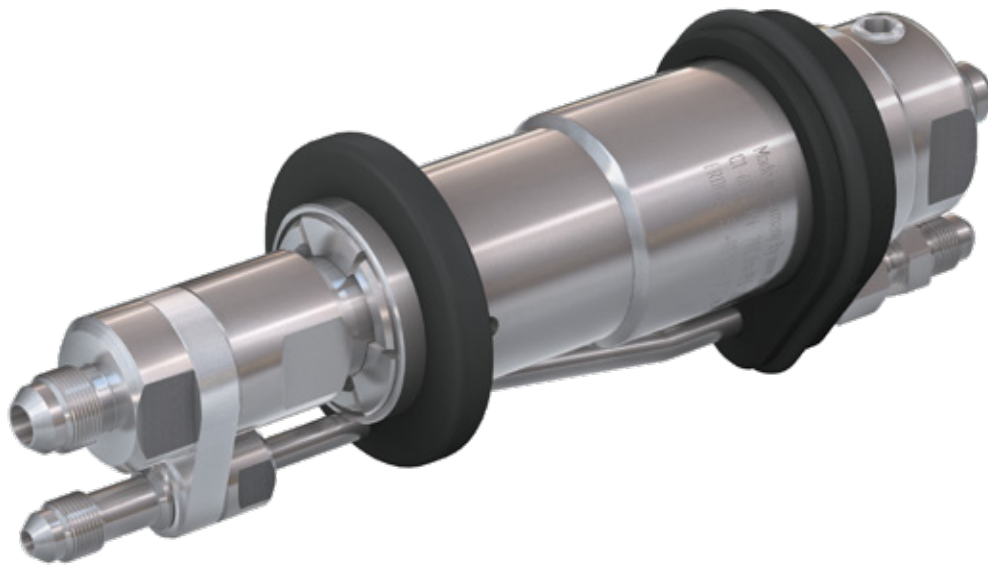


Type **TSA2 CNG**

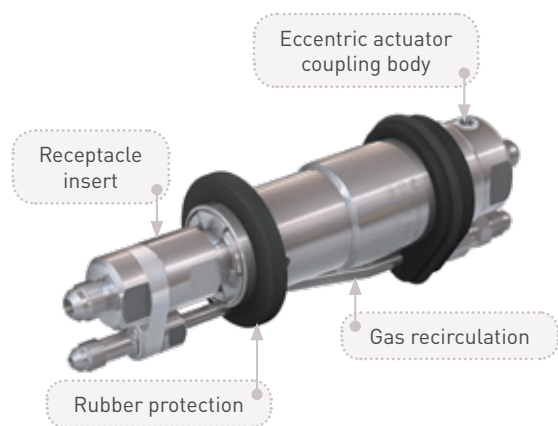
Inline breakaway Coupling

for car fueling stations



General

DESCRIPTION



Features

- Re-usable without factory reservicing
- Installation inbetween the filling and venting hoses
- Small compact design
- Rubber protection
- Eccentric actuation via an allen wrench
- Option: without gas recirculation

With type TSA2 CNG, an inline breakaway coupling which is installed inbetween the filling and venting hoses, is now also available for car fueling stations. In the event of accidental deployment, e.g. driving a vehicle from the dispenser with the nozzle remaining in the vehicle fuel port, the coupling will separate the connections between dispenser and hoses sealing both ends. This protects largely the receptacle, the fueling nozzle and the dispenser against damage. The detached coupling can be easily reattached and placed back in service after having been function tested.

The breakaway device consists of a coupling body, a receptacle insert and an optional gas recirculation.

We recommend the installation of a type TSF5 CNG filter (see page 104, catalog no. 15) when using the TSA2 CNG inline breakaway coupling. The filter protects your system from dirt ingress.

We also offer complete hose assemblies consisting of a fueling nozzle, a hose set and a breakaway coupling (for complete hose assemblies see respective fueling nozzle).

Application

Inline breakaway coupling for car fueling stations for installation inbetween the filling and venting hoses.

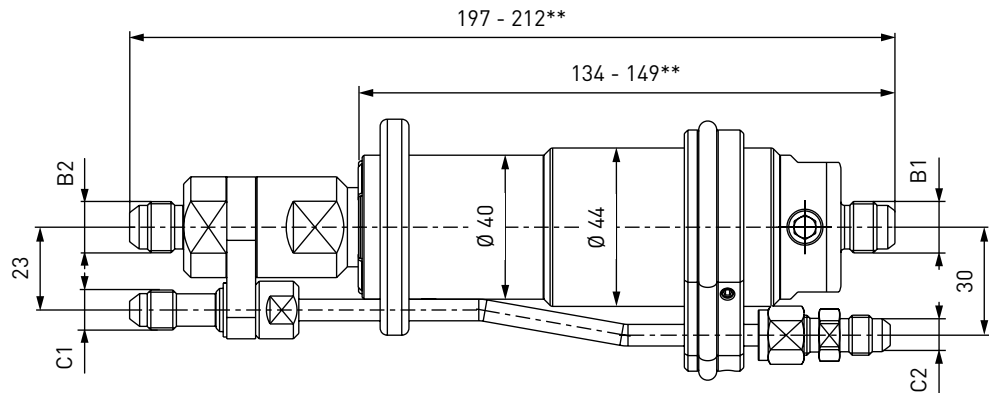
TECHNICAL DATA

Characteristic	Basic version	Options
Nominal bore DN	Depending on design	On request
Pressure range	PN = 200 bar (3,000 psi) PS = 300 bar PT = 450 bar PN = 250 bar (3,600 psi) PS = 350 bar PT = 525 bar	
Temperature range	-40 °F up to +185 °F	On request
Breakaway force	300 - 600 N	On request
Material	Corrosion resistant stainless steel, aluminium	On request
Sealing material	Natural gas compatible	On request
Design	With gas recirculation	Without gas recirculation

Ordering

ORDERING | Inline breakaway coupling TSA2 CNG with gas recirculation

approx. dimensions (mm)



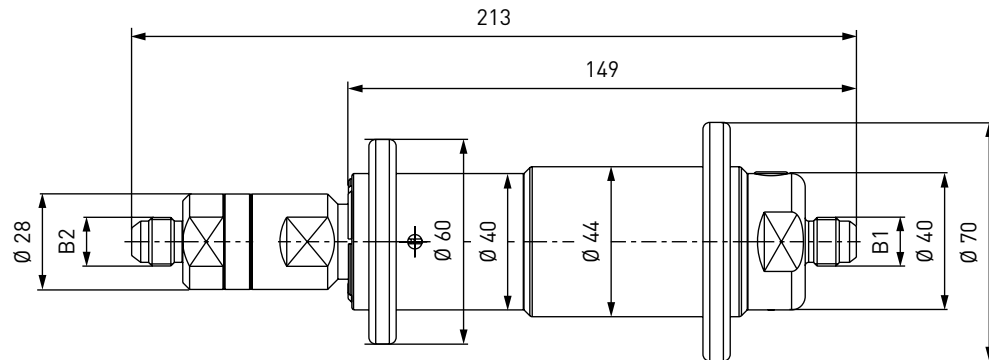
Part No.	Description	DN	Pressure (PN)	B1/B2 (male thread)	C1/C2 (male thread)
C1-60003-X1-X01	TSA2 CNG	8	3,000 psi	UNF 9/16"-18*	UNF 7/16"-20*
C1-101094-X01	TSA2 CNG	8	3,600 psi	UNF 9/16"-18*	UNF 7/16"-20*
C1-92668-X01	TSA2 CNG	4	3,000 psi	UNF 7/16"-20*	UNF 7/16"-20*

* acc. to SAE J514, 37°

** length depending on type of breakaway coupling

ORDERING | Inline breakaway coupling TSA2 CNG without gas recirculation

approx. dimensions (mm)



Part No.	Description	DN	Pressure (PN)	B1 (male thread)	B2 (male thread)
C1-60007-X1-X01	TSA2 CNG	8	3,000 psi	UNF 9/16"-18*	UNF 9/16"-18*
C1-101042-X01	TSA2 CNG	8	3,600 psi	UNF 9/16"-18*	UNF 9/16"-18*
C1-74443-X01	TSA2 CNG	4	3,000 psi	UNF 9/16"-18*	UNF 7/16"-20*
C1-103076-X01	TSA2 CNG	4	3,000 psi	UNF 7/16"-20*	UNF 7/16"-20*

* acc. to SAE J514, 37°

Accessories

ACCESSORIES

The following accessories are available for type TSA2 CNG:

Filter TSF5 CNG (50 micron)

For upgrading existing inline breakaways without integrated filter, we recommend the installation of a type TSF5 CNG filter (see page 104, catalog no. 15). The filter protects your system from dirt ingress. Type TSF5 CNG is installed as prefilter in the media inlet between inline breakaway coupling and filling hose.



Part No.	Description	DN	Pressure (PN)	Inlet B	Outlet A
C1-83120-X01	TSF5 CNG	8	3,000 psi	UNF 9/16"-18* male thread	UNF 9/16"-18* female thread
C1-102491-X01	TSF5 CNG	8	3,600 psi	UNF 9/16"-18* male thread	UNF 9/16"-18* female thread

* acc. to SAE J514, 37°

Filling and venting hoses

Please see page 122 in catalog no. 15 or the corresponding fueling nozzles for filling and venting hoses suitable for the type TSA2 CNG inline breakaway coupling.

Fittings

Stainless steel fittings for connecting the media inlet 'B' to the filling hose or the gas recirculation inlet 'C' to the venting hose.

Part No.	Description	Connection breakaway	Connection filling hose
C1-79538	Fitting	UNF 9/16"-18* female thread	UNF 9/16"-18** female thread
C1-66850	Fitting	UNF 9/16"-18* female thread	UNF 3/4"-16* male thread
C1-65592	Fitting	UNF 9/16"-18* female thread	NPT 1/4" female thread

* acc. to SAE J514, 37°

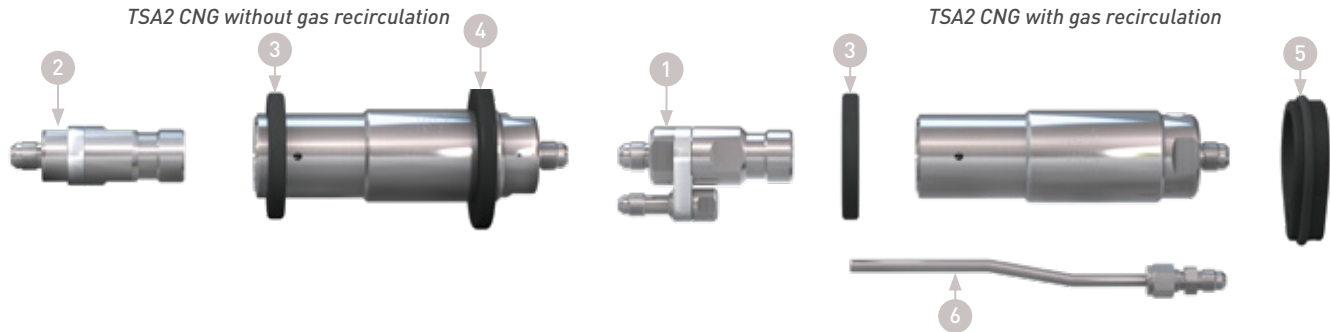
** acc. to SAE J1926

Please see page 126 in catalog no. 15 onwards for a detailed overview on all available fittings.

Accessories

Spare parts

Various parts are available as spares for type TSA2 CNG:



Part No.	Description
W56149	1 Receptacle insert for type TSA2 CNG with gas recirculation (C1-60003, C1-101094)
W101086	1 Receptacle insert for type TSA2 CNG with gas recirculation (C1-92668)
W60006	2 Receptacle insert for type TSA2 CNG without gas recirculation (C1-60007, C1-101042, C1-103076)
W74608	2 Receptacle insert for type TSA2 CNG without gas recirculation (C1-74443)
E80-71324	3 Front rubber protection
E80-71325	4 Rear rubber protection
W72525	5 Mounting flange
E80-6002	6 Gas recirculation tube
C1-119056	Spare seal set for receptacle insert W56149 and W101086
C1-119054	Spare seal set for receptacle insert W60006 and W74608

Other products

OTHER PRODUCTS

You will find more products in our current catalog no. 15



Further information on our homepage
www.weh.com

Abbreviations/Definition

Explanation of abbreviations see technical appendix in the catalogue or www.weh.com

Safe product selection

Our WEH® Products are designed to be operated by qualified professional users (insofar as WEH® Products are also designed to be operated by other users in individual cases, this is explicitly stated in the corresponding operating instructions). You alone are responsible for the selection of WEH® Products and their configuration according to the requirements of your system. In doing so, please particularly consider your intended use, your performance data, your material compatibility, your system concept and your system limits as well as your technical and legal requirements for operation, handling and maintenance. The quality and safety of WEH® Products is our highest priority. For this reason, WEH® Products may not be used outside the specifications in the relevant data sheets and product descriptions. We also strongly recommend that you refrain from using third-party spare parts or a combination of WEH® Products with unsuitable third-party products. You alone are responsible for reviewing the suitability of third-party products. WEH® Products and WEH® Spare parts comply with our quality and safety standards.

Explanation on the Pressure Equipment Directive

These WEH® Products are generally and exclusively classified as pressure accessories for piping in accordance with Article 2 (5) of the Pressure Equipment Directive 2014/68/EU. These WEH® Products may not be used (i) as safety accessories or (ii) for vessels as defined by the Pressure Equipment Directive 2014/68/EU. Therefore, the application of these WEH® Products must comply with their classification as pressure accessories for piping. The assessment with regard to a different classification can, however, be made on request.

External change management

WEH reserves the right to update, optimise and adjust its products continuously. This may result in corresponding changes of the product. Customers will be informed proactively or unsolicited by WEH only in individual cases about product updates, product optimisations and/or product adaptations that have been carried out. You are free to contact WEH at any time to request information about any product updates, product optimisations and/or product adjustments.

© All rights reserved, WEH GmbH. Any unauthorized use is strictly forbidden. Subject to alteration.
 No liability will be assumed for any content. Herewith previous versions are no longer valid.

» Contact

For queries and further information, please do not hesitate to contact us.

Manufacturer:

WEH GmbH Gas Technology

Josef-Henle-Str. 1
 89257 Illertissen / Germany

Phone: +49 7303 95190-0
 Fax: +49 7303 95190-9999

Email: ngvsales@weh.com
www.weh.com



Distributor US:

WEH Technologies Inc.

24903 Laguna Edge Drive
 Katy, TX 77494 / USA

Phone: +1 832 331 0021
 Fax: +1 281 712 2664

Email: sales@weh.us
www.weh.us