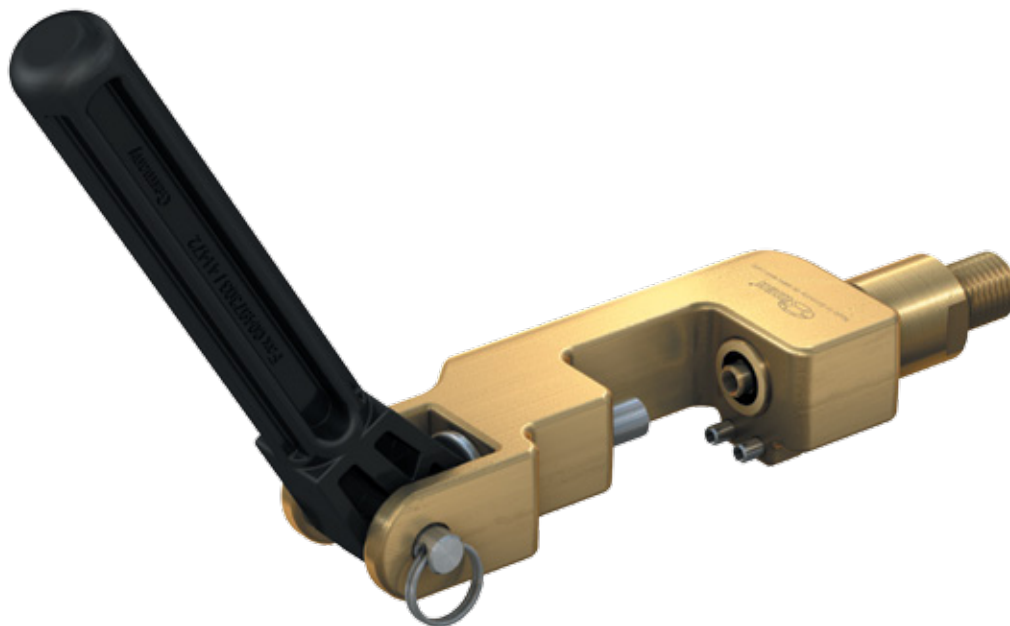


Type **TW42**

WEH[®] Yoke connector for filling of gas cylinders

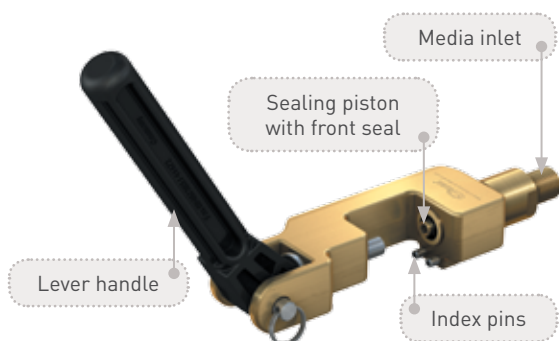
with Pin-Index system (with or without residual pressure valve) acc. to CGA 870

US Patent No. 5,582,223



General

DESCRIPTION



Features

- For Pin-Index connections acc. to CGA 870 (others on request)
- Version for **residual pressure valves or non-residual pressure valves** available
- Super light → only 24.7 oz. (700 grams)
- Open bow body for connection in seconds
- Pressure-assisted piston prevents accidental disconnection under pressure
- High-grade materials
- US Patent No. 5,582,223

The yoke quick connector type TW42 is especially designed for filling of gas cylinders with Pin-Index system (with or without residual pressure valve). The connector is very light in weight and therefore easy to operate. Being open at one side type TW42 is easy to connect, especially to cylinder valves with large hand wheel and lateral gauge.

Simply place the connector body of the TW42 yoke quick connector over the cylinder valve, align it with the index pins and move upwards. The pressure-tight connection is made.

The pressure-assisted piston prevents accidental disconnection under pressure and provides additional safety.

For gas cylinders with residual pressure valve type TW42 is additionally equipped with a RPV pin (see opposite picture) for opening the residual pressure valve.

This yoke quick connector is available for gas cylinder valves acc. to CGA 870, others on request. Connectors for oxygen applications are oxygen cleaned and free of oil and grease.



Application

Yoke quick connector for filling of gas cylinders with Pin-Index system (with or without residual pressure valve).

TECHNICAL DATA

Characteristic	Basic version
Pressure range	PN: 2,900 psi (200 bar) PS: 3,600 psi (250 bar) PT: 5,400 psi (375 bar)
Temperature range	+41 °F up to +140 °F (O ₂)
Connection A	Pin-Index connection acc. to CGA 870 (others on request)
Medium	Medical oxygen (others on request)
Actuation	Manual actuation via lever handle
Material	Corrosion resistant stainless steel, brass
Sealing material	EPDM (others on request)
Design	With or without RPV pin
Registration	PED97/23/EC: CE0036 CRN 0A13109.5 Adiabatic ignition test available

Other designs on request

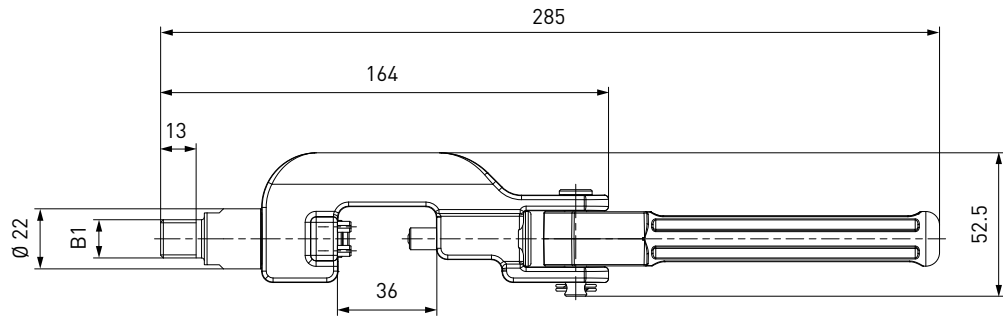
Example of use:



Ordering / Accessories

ORDERING | Quick connector TW42

approx. dimensions (mm)



Part No.	Description	Connection A	Inlet B1 (male thread)
C1-117833	TW42	CGA 870	NPT 1/4"
C1-117834*	TW42	CGA 870	NPT 1/4"

* with RPV pin

Other connection sizes and versions on request.

ACCESSORIES

The following accessories are available for type TW42:

Swivel joint TD1

The swivel joint TD1 prevents twisting of the hose and enables the axial aligning of the connector.



Part No.	Description	Inlet B1 (male thread)	Connection B2 (female thread)
On request	TD1	NPT 1/4"	NPT 1/4"

Monel® construction

All pressurized parts are also available in Monel®. Please contact us!

Adaptors

Adaptors for connecting the quick connector to the filling hose are available on request.

Spare parts

Various parts are available as spares for type TW42:

Part No.	Description
E50-55668	O-ring

Other products

OTHER PRODUCTS

You will find more products in our current catalog No. 20



Further information on our homepage
www.weh.com

» Contacting

For queries and further information, please do not hesitate to contact us.

Manufacturer:

WEH GmbH Precision Connectors

Josef-Henle-Str. 1
89257 Illertissen / Germany

Phone: +49 7303 9609-0
Fax: +49 7303 9609-9999

eMail: sales@weh.com
www.weh.com