

Type **TW111 R410A**

WEH[®] Connector for filling refrigerant R410A

in refrigerating and air conditioning systems with 'Schrader valves'



General

DESCRIPTION



Features

- Connection in seconds
- No hand tightening required
- For connection to 'Schrader valves' acc. to SAE J513
- WEH® Jaw locking mechanism
- Reduces down time and loss of refrigerant
- No frostbitten hands
- High-grade materials

The product range for the refrigeration and air conditioning industry has been extended by the addition of a further connector for filling R410A refrigerant. The WEH® TW111 Quick Connector is specifically designed for filling and maintenance of refrigeration and air conditioning systems and plants with 'Schrader valves' which need to be connected and disconnected under pressures up to a maximum of 42 bar.

RSI resulting in the inflammation of tendons and abrasion of joints caused by continuous screwing and unscrewing of threaded joints is eliminated. Connection and disconnection is effected by a simple movement of the sliding sleeve. The integrated shut-off valve prevents the escape of the R410A refrigerant which remains in the filling tube and can then be correctly disposed of. The TW111 for R410A is equipped with an UNF 1/2"-20 (equivalent to 3/8" – SAE tube connection) and is either available for high pressure (red sliding sleeve) or for low pressure (blue sliding sleeve).

Application

Quick connector for filling refrigerant R410A in refrigerating and air conditioning systems with 'Schrader valves'.

TECHNICAL DATA

Characteristic	Basic version
Operating pressure PS	Max. 42 bar
Temperature range	-10 °C up to +80 °C
Medium	Refrigerant R410A
Actuation	Manual actuation via sliding sleeve
Material	Brass, anodized aluminium
Sealing material	Dependant on medium
Design	Incl. integrated shut-off valve

Other designs on request

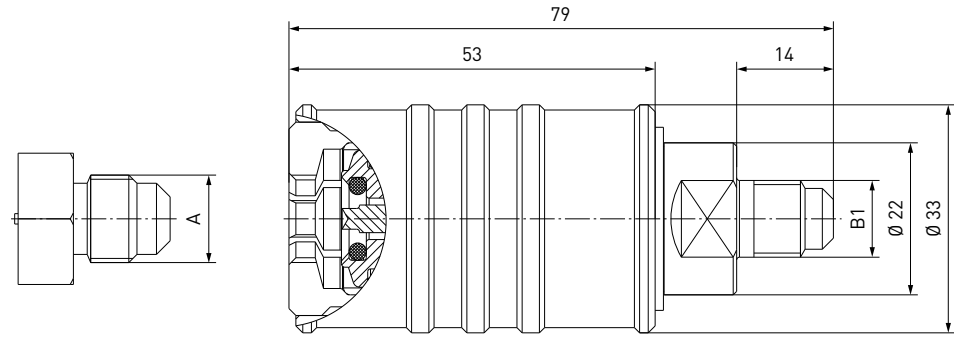
Example of use:



Ordering

ORDERING | WEH® TW111 R410A Quick Connector

approx. dimensions (mm)



Part No.	Description	Connection A (external thread)	Inlet B1 (external thread)
C1-30291	TW111 - high pressure (red)	UNF 1/2"-20*	UNF 1/2"-20*
C1-30290	TW111 - low pressure (blue)	UNF 1/2"-20*	UNF 1/2"-20*
C1-34797	TW111 - high pressure (red)	UNF 1/2"-20*	UNF 7/16"-20*
C1-34796	TW111 - low pressure (blue)	UNF 1/2"-20*	UNF 7/16"-20*

* acc. to SAE J513 (45°)

Other connector sizes and versions on request.

Other products

OTHER PRODUCTS

You will find more products in our current catalogue no. 40



Further information on our homepage
www.weh.com

» Contacting

For queries and further information, please do not hesitate to contact us.

Manufacturer:

WEH GmbH Precision Connectors

Josef-Henle-Str. 1
89257 Illertissen / Germany

Phone: +49 7303 9609-0
Fax: +49 7303 9609-9999

Email: sales@weh.com
www.weh.com