

Type **TSF2 H₂**

WEH[®] Coalescing filter

for installation onboard hydrogen vehicles and in hydrogen fueling stations



General

DESCRIPTION



Features

- Fine filter with high particle removal efficiency
- (efficiency of approx. 99.9% > 0.3 micron)
- For installation onboard H₂ vehicles and in H₂ fueling stations
- Protection of critical components in the fuel system
- Wear resistant
- Ease of maintenance

Clean, filtered gases are essential to guarantee the proper function of components for vehicles and fueling stations when refueling with hydrogen. The WEH® TSF2 H₂ Coalescing filter was developed to remove particles from the gas flow. Coalescing filters are more effective in comparison to regular particle filters due to the high particle removal efficiency. When filtering the gas flow, the coalescing filter reliably removes contaminants such as oil, water and dirt particles which are contained in the gas. This contamination is isolated by the coalescing filter. Hydrogen flows through the filter, whereas contaminants such as oil, water and other aerosols coalesce, and drop into the sump of the filter, where they are separated into a drain port.

The WEH® TSF2 H₂ is easy to maintain and can be installed onboard vehicles and in fueling stations at any time.

Application

Coalescing filter for installation onboard hydrogen vehicles (e1 approval) and in hydrogen fueling stations.

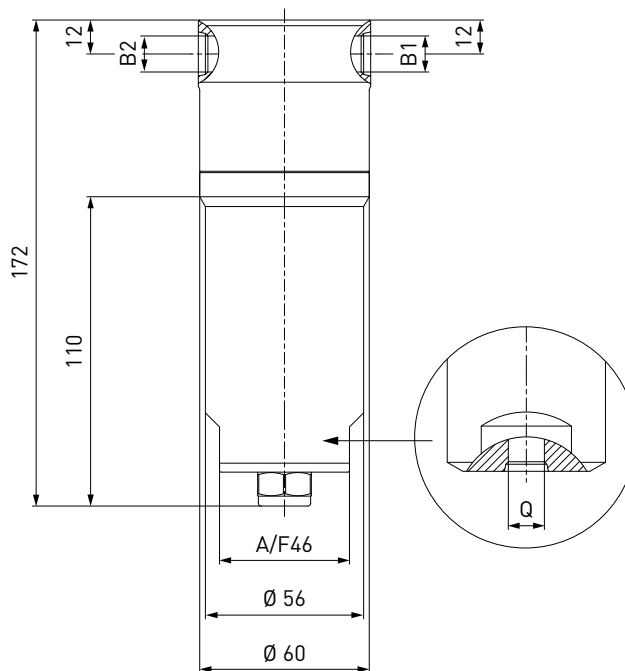
TECHNICAL DATA

Characteristics	Basic version	Options
Nominal bore (DN)	10 mm	On request
Pressure range	PN = 35 MPa (5,000 psi) PS = 45 MPa	
Temperature range	-40 °C up to +85 °C [-40 °F up to +185 °F]	On request
Material	Corrosion resistant stainless steel	On request
Sealing material	Hydrogen resistant	On request
Filter element	< 1 micron	On request
Design	Incl. plug	On request
Conformity / Tests / Approvals	e1 00 0004 (Regulation (EC) No. 79/2009)	

Ordering / Spare parts

ORDERING | WEH® TSF2 H₂ Coalescing filter with filter cartridge Ø 38.0 mm

approx. dimensions (mm)



Part No.	Description	Pressure (PN)	B1 (female thread)	B2 (female thread)	Q (female thread)
C1-89635	TSF2 H ₂ (e1)	35 MPa / 5,000 psi	UNF 9/16"-18*	UNF 9/16"-18*	UNF 9/16"-18*
C1-120710-X01	TSF2 H ₂	35 MPa / 5,000 psi	UNF 9/16"-18*	UNF 9/16"-18*	UNF 9/16"-18*

* acc. to SAE J1926

SPARE PARTS

Various parts are available as spares for the WEH® TSF2 H₂ Coalescing filter.

Plug

Plug with polyurethane o-ring for closing the drain port 'Q' (end of the filter).



Part No.	Description	Port (male thread)
E69-93336	Plug with o-ring	UNF 9/16"-18*

* acc. to SAE J1926

Filter cartridge

For TSF2 H₂ coalescing filter with filter cartridge Ø 38.0 mm.



Part No.	Description	Length
E69-89626	Filter cartridge	90.0 mm

Technical explanations

TECHNICAL EXPLANATIONS

Abbreviations/Definitions

For explanation of abbreviations and definitions of terms see Technical Appendix of the corresponding catalog or www.weh.com

Illustrations

The illustrations and/or images used in these data sheet are particularly provided for illustrative purposes only and may differ in some details from the actual product. For binding information, please refer to your individual orders.

Safe product selection

Our WEH® Products are designed to be operated by qualified professional users (insofar as WEH® Products are also designed to be operated by other users in individual cases, this is explicitly stated in the corresponding operating instructions). Please note that WEH does not know your system and therefore - also due to the large number of different potential applications of WEH® Products - cannot perform tests on all potential types of application. You alone are responsible for the selection, configuration and suitability of WEH® Products, especially according to the requirements of your system. Before purchasing WEH® Products, please particularly ensure that our products are compatible with your intended use, your performance data, your material and fluids, your system concept and your system limits according to our product specifications. Please also consider your technical and legal requirements for operation, handling and maintenance. The quality and safety of WEH® Products is our highest priority. For this reason, WEH® Products may not be used outside the specifications in the relevant data sheets and product descriptions. If you are not sure whether the WEH® Product is suitable for your system and intended use, please contact us in advance. We also strongly recommend that you refrain from using third-party spare parts or a combination of WEH® Products with unsuitable third-party products. You alone are responsible for reviewing the suitability of third-party products. WEH® Products and WEH® Spare parts comply with our quality and safety standards.

Service life

WEH® Products are generally products which may be subject to wear and fatigue during operation and depending on your individual application/use. For details - in particular regarding the corresponding minimum inspection and maintenance intervals - please refer to the respective operating instructions for the WEH® Product.

Explanation on the Pressure Equipment Directive

These WEH® Products are generally classified as pressure accessories in accordance with Article 2 (5) of the Pressure Equipment Directive 2014/68/EU and are considered to be similar to piping. These WEH® Products may not be used as safety accessories. Furthermore, it is pointed out, that these WEH® Products are designed and placed on the market in accordance with the requirements of Article 4 (3) of the Pressure Equipment Directive 2014/68/EU. The assessment with regard to a different classification can, however, be made on request.

External change management

WEH reserves the right to update, optimise and adjust its products continuously. This may result in corresponding changes of the product. Customers will be informed proactively or unsolicited by WEH only in individual cases about product updates, product optimisations and/or product adaptations that have been carried out. You are free to contact WEH at any time to request information about any product updates, product optimisations and/or product adjustments.

© All rights reserved, WEH GmbH. Any unauthorized use is strictly forbidden. Subject to alteration.
No liability will be assumed for any content. Herewith previous versions are no longer valid.

» Contact

More questions? – Great! Don't hesitate to contact our experts.

Manufacturer:

WEH GmbH Gas Technology

Josef-Henle-Str. 1

89257 Illertissen / Germany

Phone: +49 7303 95190-0

E-Mail: h2sales@weh.com

Website: www.weh.com