

# Type **TSF2 H<sub>2</sub>** WEH<sup>®</sup> Filter

for installation onboard H<sub>2</sub> vehicles and in fuelling stations



## General

### DESCRIPTION



#### Features

- For hydrogen free of impurities
- Filter insert can be cleaned
- For installation onboard H<sub>2</sub> vehicles and in fuelling stations
- Also suitable as prefilter for inline breakaways

Contaminants in the gas flow can enter the vehicle's storage tank during refuelling. These dirt particles in the hydrogen fuel may cause damage to the sealing components. WEH, therefore, offers the WEH<sup>®</sup> TSF2 H<sub>2</sub> Filter Series for clean hydrogen. Solid particles are captured reliably.

The filter element can be removed and is re-usable after having been cleaned.

The WEH<sup>®</sup> TSF2 H<sub>2</sub> Filter is mainly used for fuelling stations and dispensers.

In order to meet the different requirements of the dispenser manufacturers, WEH offers a wide variety of connection configurations - tube fitting / internal thread on both ends or internal and external thread.

For use as a prefilter in the WEH<sup>®</sup> TSA2 H<sub>2</sub> Inline Breakaway Coupling, WEH offers a special design with external and internal thread.

#### Application

Filter for installation onboard H<sub>2</sub> vehicles (e1 approval) and in fuelling stations.

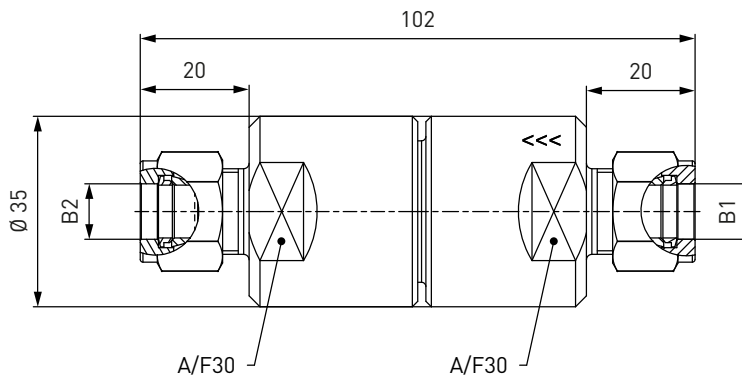
### TECHNICAL DATA

Characteristic	Basic version	Options
Nominal bore DN	Max. 8 mm, depending on design	On request
Pressure range	PN = 300 bar (4,350 psi)   PS = 400 bar   PT = 600 bar PN = 350 bar (5,000 psi)   PS = 450 bar   PT = 675 bar	
Temperature range	-40 °C up to +85 °C (-40 °F up to +185 °F)	On request
Material	Corrosion resistant stainless steel	On request
Sealing material	Hydrogen compatible	On request
Filter element	40 resp. 20 micron	On request
Design	Incl. fittings (only for filters with tube fitting)	On request
Registration	e1 approval on request	

**Ordering**

**ORDERING** | WEH® TSF2 H<sub>2</sub> Filter with tube fitting on both sides

approx. dimensions (mm)

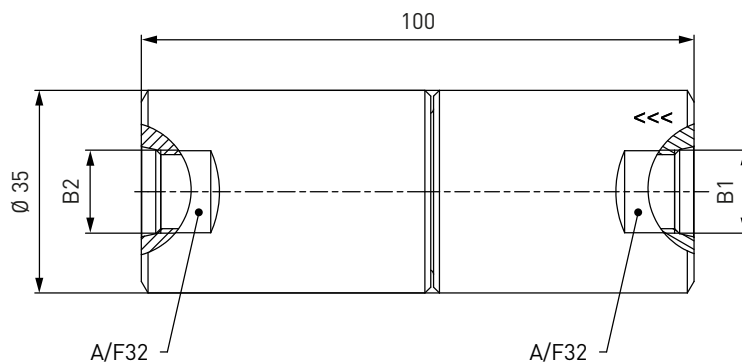


Part No.	Description	Filter (micron)	DN	Pressure (PN)	Inlet B1	Outlet B2
<b>C1-54095-X01</b>	TSF2 H <sub>2</sub>	40	4	350 bar / 5,000 psi	Tube Ø 1/4"*	Tube Ø 1/4"*
<b>C1-18487-X01</b>	TSF2 H <sub>2</sub>	40	8	350 bar / 5,000 psi	Tube Ø 3/8"*	Tube Ø 3/8"*
<b>C1-36033-X01</b>	TSF2 H <sub>2</sub>	40	8	350 bar / 5,000 psi	Tube Ø 10*	Tube Ø 10*

\* double ferrule fitting

**ORDERING** | WEH® TSF2 H<sub>2</sub> Filter with internal thread on both sides

approx. dimensions (mm)



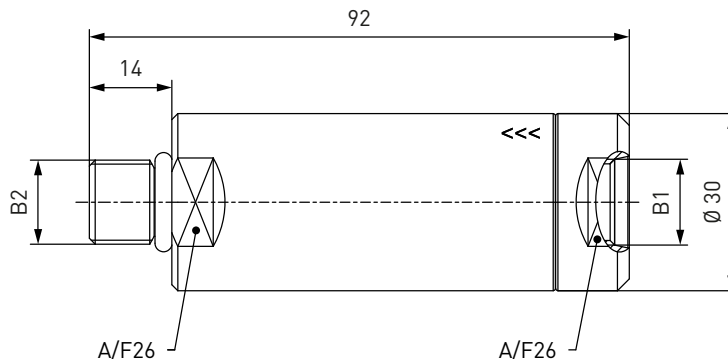
Part No.	Description	Filter (micron)	DN	Pressure (PN)	Inlet B1 (internal thread)	Outlet B2 (internal thread)
<b>C1-34576-X01</b>	TSF2 H <sub>2</sub>	40	8	350 bar / 5,000 psi	UNF 9/16"-18*	UNF 9/16"-18*

\* acc. to SAE J1926

**Ordering / Spare parts**

**ORDERING** | WEH® TSF2 H<sub>2</sub> Filter with internal and external thread

approx. dimensions (mm)

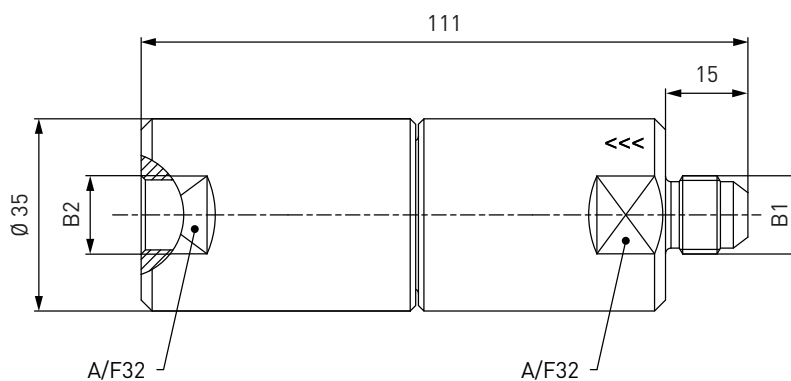


Part No.	Description	Filter (micron)	DN	Pressure (PN)	Inlet B1 (internal thread)	Outlet B2 (external thread)
<b>C1-17011-X01</b>	TSF2 H <sub>2</sub>	40	8	300 bar / 4,350 psi	UNF 9/16"-18*	UNF 9/16"-18*

\* acc. to SAE J1926

**ORDERING** | WEH® TSF2 H<sub>2</sub> Filter with external and internal thread (also suitable as prefilter for TSA2 H<sub>2</sub>)

approx. dimensions (mm)



Part No.	Description	Filter (micron)	DN	Pressure (PN)	Inlet B1 (external thread)	Outlet B2 (internal thread)
<b>C1-134710-X01</b>	TSF2 H <sub>2</sub>	40	8	350 bar / 5,000 psi	UNF 9/16"-18*	UNF 9/16"-18*
<b>C1-134711-X01</b>	TSF2 H <sub>2</sub>	20	8	350 bar / 5,000 psi	UNF 9/16"-18*	UNF 9/16"-18*

\* acc. to SAE J514, 37°

**SPARE PARTS**

Various parts are available as spares for the WEH® TSF2 H<sub>2</sub> Filter:

Part No.	Description
<b>E69-9061</b>	Wire filter insert 40 micron (incl. spring and o-ring)
<b>E69-67754</b>	Wire filter insert 20 micron (incl. spring and o-ring)

## Other products

### OTHER PRODUCTS

You will find more products in our current catalogue no. 50



Further information on our homepage  
[www.weh.com](http://www.weh.com)

#### Abbreviations/Definition

Explanation of abbreviations see technical appendix in the catalogue or [www.weh.com](http://www.weh.com)

#### Safe product selection

Our WEH® Products are designed to be operated by qualified professional users (insofar as WEH® Products are also designed to be operated by other users in individual cases, this is explicitly stated in the corresponding operating instructions). You alone are responsible for the selection of WEH® Products and their configuration according to the requirements of your system. In doing so, please particularly consider your intended use, your performance data, your material compatibility, your system concept and your system limits as well as your technical and legal requirements for operation, handling and maintenance. The quality and safety of WEH® Products is our highest priority. For this reason, WEH® Products may not be used outside the specifications in the relevant Product data sheets and product descriptions. We also strongly recommend that you refrain from using third-party spare parts or a combination of WEH® Products with unsuitable third-party products. You alone are responsible for reviewing the suitability of third-party products. WEH® Products and WEH® Spare parts comply with our quality and safety standards.

#### Explanation on the Pressure Equipment Directive

These WEH® Products are generally and exclusively classified as pressure accessories for piping in accordance with Article 2 (5) of the Pressure Equipment Directive 2014/68/EU. These WEH® Products may not be used (i) as safety accessories or (ii) for vessels as defined by the Pressure Equipment Directive 2014/68/EU. Therefore, the application of these WEH® Products must comply with their classification as pressure accessories for piping. The assessment with regard to a different classification can, however, be made on request.

#### External change management

WEH reserves the right to update, optimise and adjust its products continuously. This may result in corresponding changes of the product. Customers will be informed proactively or unsolicited by WEH only in individual cases about product updates, product optimisations and/or product adaptations that have been carried out. You are free to contact WEH at any time to request information about any product updates, product optimisations and/or product adjustments.

© All rights reserved, WEH GmbH. Any unauthorized use is strictly forbidden. Subject to alteration.  
No liability will be assumed for any content. Herewith previous versions are no longer valid.

### » Contacting

For queries and further information, please do not hesitate to contact us.

Manufacturer:

**WEH GmbH Gas Technology**

Josef-Henle-Str. 1  
89257 Illertissen / Germany

Phone: +49 7303 95190-0  
Fax: +49 7303 95190-9999

Email: [h2sales@weh.com](mailto:h2sales@weh.com)  
[www.weh.com](http://www.weh.com)