

Type **TSF4**

WEH[®] Filter

for use with gaseous media and for mounting into gas mixing plants



General

DESCRIPTION



Features

- Suitable for mounting into gas mixing plants for filtration of air and gas
- Pressure resistant
- Wear and corrosion resistant
- Easy replacement of filter element
- Simple installation

Clean, filtered gases are a basic requirement in order to ensure the proper functioning of individual components in gas mixing plants. Specifically, seals can be damaged by dirt particles in the media flow.

The type TSF4 gas filter was developed to remove dirt particles in the gas flow and it is particularly useful in gas filling systems for inert gases like argon and nitrogen. The gas flows through the filter and the filter retains any dirt particles contained in the gas.

The type TSF4 is suitable for high pressure applications and is particularly easy to maintain. The wire filter insert can be removed for cleaning purposes without removing the media lines

Application

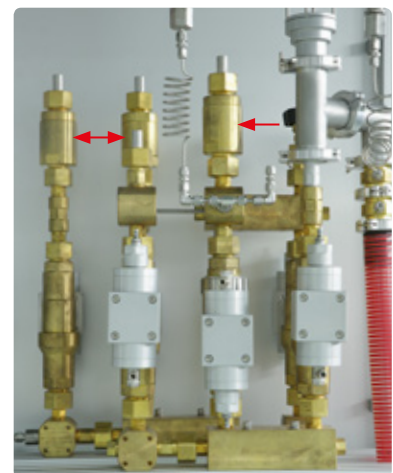
Filter for use with gaseous media and for mounting into gas mixing plants.

TECHNICAL DATA

Characteristic	Basic version	
Nominal bore DN	12 mm	
Pressure range	PN = 350 bar PS = 450 bar PT = 675 bar PN = 350 bar PS = 420 bar PT = 630 bar (O ₂)	
Medium	Inert/flammable gases	Oxygen
Temperature range	-40 °C up to +85 °C	+5 °C up to +60 °C
Material	Brass	Brass
Sealing material	EPDM / FKM	EPDM
Design	Incl. exchangeable filter (40 micron)	
Registration	Adiabatic ignition test available	

Other designs on request

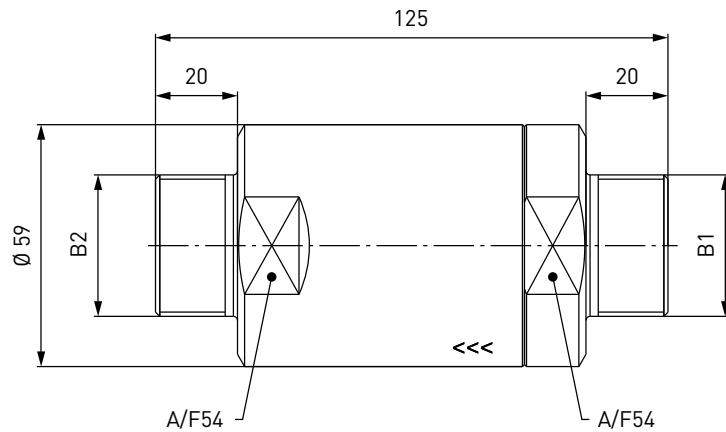
Example of use:



Ordering / Accessories

ORDERING | WEH® TSF4 Filter

approx. dimensions (mm)



Part No.	Description	Inlet B1 (external thread)	Connection B2 (external thread)
C1-82292-X01	TSF4	UNF 1 3/8"-12*	UNF 1 3/8"-12*
C1-92654-X01**	TSF4	UNF 1 3/8"-12*	UNF 1 3/8"-12*
C1-125920-X01***	TSF4	UNF 1 3/8"-12*	UNF 1 3/8"-12*

* acc. to SAE J514
 ** for oxygen
 *** for methane

Other connector sizes and versions on request.

Required information for ordering see page 7, catalogue no. 20.

ACCESSORIES

The following accessories are available for WEH® TSF4 Filter:

Spare parts

Various parts are available as spares for the TSF4 filter:

Part No.	Description
E69-9062	Wire filter insert 40 micron
E69-91040*	Wire filter insert 40 micron

* Monel® construction for oxygen

Other products

OTHER PRODUCTS

You will find more products in our current catalogue no. 20



Further information on our homepage
www.weh.com

Abbreviations/Definition

Explanation of abbreviations see technical appendix in the catalogue or www.weh.com

Safe product selection

Our WEH® Products are designed to be operated by qualified professional users (insofar as WEH® Products are also designed to be operated by other users in individual cases, this is explicitly stated in the corresponding operating instructions). You alone are responsible for the selection of WEH® Products and their configuration according to the requirements of your system. In doing so, please particularly consider your intended use, your performance data, your material compatibility, your system concept and your system limits as well as your technical and legal requirements for operation, handling and maintenance. The quality and safety of WEH® Products is our highest priority. For this reason, WEH® Products may not be used outside the specifications in the relevant data sheets and product descriptions. We also strongly recommend that you refrain from using third-party spare parts or a combination of WEH® Products with unsuitable third-party products. You alone are responsible for reviewing the suitability of third-party products. WEH® Products and WEH® Spare parts comply with our quality and safety standards.

Explanation on the Pressure Equipment Directive

These WEH® Products are generally and exclusively classified as pressure accessories for piping in accordance with Article 2 (5) of the Pressure Equipment Directive 2014/68/EU. These WEH® Products may not be used (i) as safety accessories or (ii) for vessels as defined by the Pressure Equipment Directive 2014/68/EU. Therefore, the application of these WEH® Products must comply with their classification as pressure accessories for piping. The assessment with regard to a different classification can, however, be made on request.

External change management

WEH reserves the right to update, optimise and adjust its products continuously. This may result in corresponding changes of the product. Customers will be informed proactively or unsolicited by WEH only in individual cases about product updates, product optimisations and/or product adaptations that have been carried out. You are free to contact WEH at any time to request information about any product updates, product optimisations and/or product adjustments.

© All rights reserved, WEH GmbH. Any unauthorized use is strictly forbidden. Subject to alteration.
No liability will be assumed for any content. Herewith previous versions are no longer valid.

» Contact

For queries and further information, please do not hesitate to contact us.

Manufacturer:

WEH GmbH Precision Connectors

Josef-Henle-Str. 1
89257 Illertissen / Germany

Phone: +49 7303 9609-0

Email: sales@weh.com

www.weh.com