

Type **TW751**

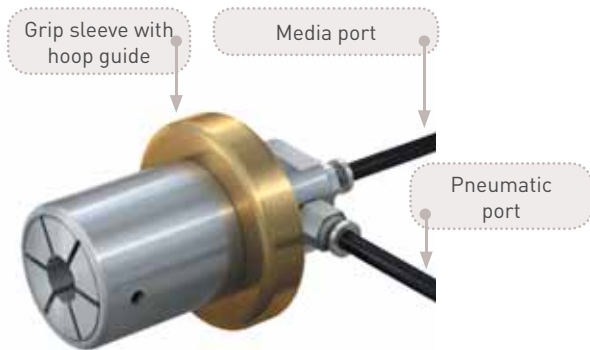
Quick connector

for testing of manometers



General

DESCRIPTION



Features

- Connection in seconds
- No hand tightening required
- WEH® Jaw locking mechanism
- High-grade materials
- Compact design
- Ergonomic design

How to save time and money

The WEH® Quick Connector type TW751 has been developed for function- and pressure testing of components with external threads, i.e. manometers up to a max. pressure (PN) of 1000 bar. Laborious thread connections and tightening of pressure test hoses is no longer needed and intricate testing devices are a thing of the past. In comparison to threaded connections there are significant time and cost reductions due to the efficient design of WEH® Connectors.

The WEH® Quick Connector type TW751 impresses by its compact design and ease of operation:

The testing procedure is quite simple. Activate the pilot pressure, so that the sealing disc retracts. Afterwards pull back the grip sleeve, the clamping jaws spread apart and the test piece can be inserted until resistance is felt. Push the grip sleeve forward as far as the stop, the clamping jaws lock the test piece. Relieve the pilot pressure, the sealing disc moves forward and seals the connection reliably. Testing can now proceed.

Application

Pressure and function tests on components with external threads, i.e. manometers with connection acc. to DIN 16288.

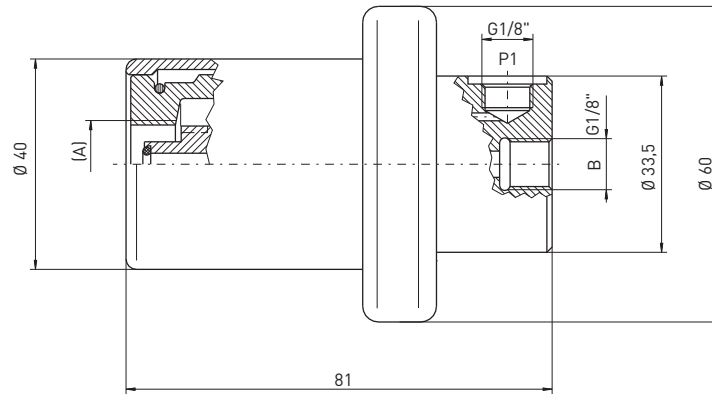
TECHNICAL DATA

Characteristic	Basic version	Versions
Nominal pressure PN	0-1000 bar	On request
Pilot pressure	5 - 8 bar	On request
Pilot pressure port P1	G1/8" internal thread	On request
Media inlet B	G1/8" internal thread	On request
Medium	Air, nitrogen	On request
Temperature range	+5 °C up to +60 °C	On request
Material	Corrosion resistant stainless steel	On request
Sealing material	NBR	On request

Bestellung

ORDERING | Quick connector TW751

approx. dimensions (mm)



Part No.	Thread A external thread	Inlet B internal thread	Pilot pressure port P1 internal thread
On request	G1/8"	G1/8"	G1/8"
On request	G1/2"	G1/8"	G1/8"
On request	G3/8"	G1/8"	G1/8"
On request	G1/4"	G1/8"	G1/8"

Please send us your enquiry together with the corresponding sample or drawing.
Other connector sizes and versions on request.

Other products

OTHER PRODUCTS

You will find more quick connectors for testing, filling and plugging in our current main catalogue No. 35.



Further information on our homepage
www.weh.com

» Contacting

For queries and further information, please do not hesitate to contact us.

Manufacturer:

WEH GmbH Precision Connectors

Josef-Henle-Straße 1
89257 Illertissen / Germany

Phone: +49 (0) 7303 9609-0

Fax: +49 (0) 7303 9609-9999

eMail: sales@weh.com

www.weh.com