

» WEH® TW141快速接頭

概要



特點：

- 迅速連接
- 無需用手鎖緊
- 適用於直管、可於外徑密封
- 無橫向壓力施加於接件上
- WEH®夾爪緊固裝置
- 人體工學設計
- 高規格材質

WEH®TW141快速接頭提供直管緊密連接、且易於操作。TW141為把手驅動快速接頭、因此不會產生橫向力導致測試件本體或接口在連接或斷開時造成扭曲變形。

WEH®TW141具安全性，可防止測試件在低於5bar的壓力前鬆脫。

應用

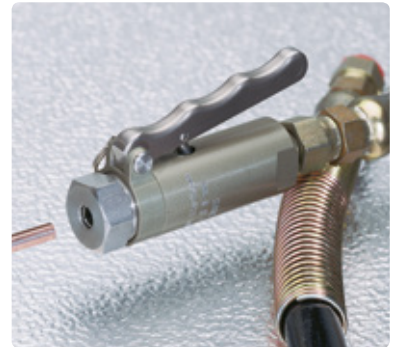
適用於測試直管的壓力及功能。如：熱交換器的測漏、冷卻機零件及管件組裝。
可用於填充具製冷劑的封閉式冷卻迴路。

技術規格

	基本規格
操作壓力	Vacuum up to max. 100 bar
溫度範圍	-10 °C up to +80 °C
漏率	1×10^{-3} mbar x l/s
流體	Refrigerants, air, gas, water, oil, etc. (please indicate when ordering)
測試件表面粗糙度	Rz8 µm - surfaces greater than Rz8 µm are not recommended
測試件材質硬度	Max. hardness 28 HRC Connection to copper tubes
材質	Clamping jaws: Corrosion resistant stainless steel Housing: Anodized aluminium
密封材質	Depending on medium

其它要求請連繫我們

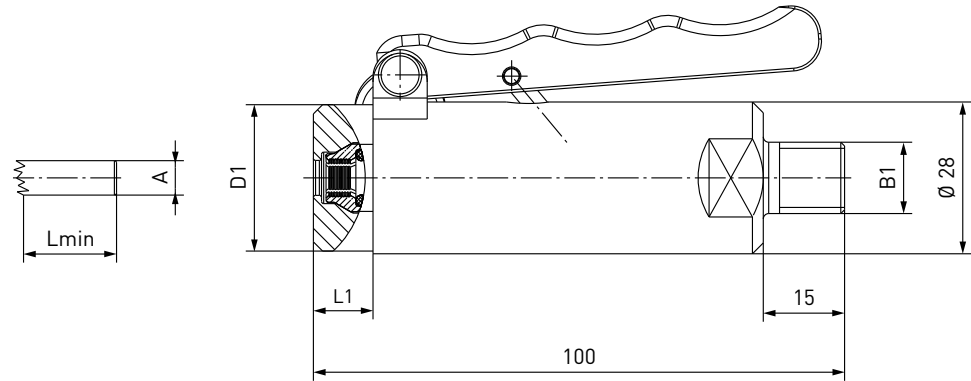
操作範例：



» WEH[®] TW141快速接頭

ORDERING | WEH[®] TW141 Quick Connector - Ø A 4.8 mm up to Ø A 8.0 mm

approx. dimensions (mm)



Part No.	Sealing range external tube Ø A	Tolerance	Inlet B1 (external thread)	D1	L1*	Lmin**
C1-17749	4.8 (3/16")	± 0.2	NPT 1/4"	27	11	19
C1-18575	5.0	± 0.2	NPT 1/4"	27	11	19
C1-14967	6.0	± 0.2	NPT 1/4"	27	11	19
C1-17606	6.35 (1/4")	± 0.2	NPT 1/4"	27	11	19
C1-17750	7.9 (5/16")	± 0.2	NPT 1/4"	27	11	19
C1-14968	8.0	± 0.2	NPT 1/4"	27	11	19

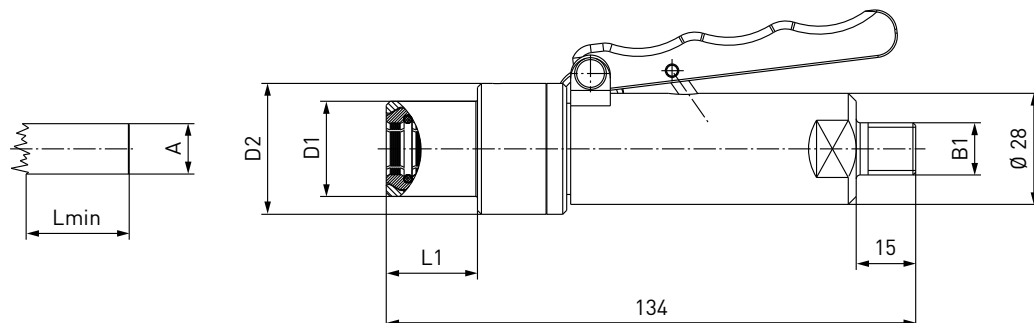
* Due to customers specific applications and pressure ranges the dimensions can differ from the stated standard sizes.

** Lmin: minimum length required for insertion of test piece

WEH® TW141快速接頭

ORDERING | WEH® TW141 Quick Connector – Ø A 9.5 mm up to Ø A 22.2 mm

approx. dimensions (mm)



Part No.	Sealing range external tube Ø A	Tolerance	Inlet B1 (external thread)	D1	D2	L1*	Lmin**
C1-17536	9.5 (3/8")	± 0.1	NPT 1/4"	21	33	24	19
C1-16773	10.0	± 0.1	NPT 1/4"	19	33	23	15
C1-16774	12.0	± 0.1	NPT 1/4"	21	33	23	15
C1-17751	12.7 (1/2")	± 0.1	NPT 1/4"	24	33	23	15
C1-16775	15.0	± 0.1	NPT 1/4"	24	33	23	15
C1-17959	15.9 (5/8")	± 0.1	NPT 1/4"	32	49	23	15
C1-16776	16.0	± 0.1	NPT 1/4"	32	49	23	15
C1-16777	18.0	± 0.1	NPT 1/4"	34	49	23	15
C1-18006	19.05 (3/4")	± 0.1	NPT 1/4"	34	49	23	15
C1-16778	22.0	± 0.1	NPT 1/4"	38	49	23	15
C1-17939	22.2 (7/8")	± 0.1	NPT 1/4"	38	49	23	15

* Due to customers specific applications and pressure ranges the dimensions can differ from the stated standard sizes.

** Lmin: minimum length required for insertion of test piece

Other connector sizes and versions on request.

關於訂購所需資訊請參照page 9.

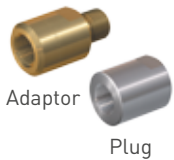
WEH[®] TW141快速接頭

配件

以下配件可選購與TW141快速接頭共用：

轉接頭/螺塞

可用不同的轉接頭作為其它流體的入口。如果快速接頭是用來止漏，流體入口'B1'可以密封。



Part No.	Description	Thread
C1-30810	Adaptor	NPT 1/4" internal thread - G1/4" internal thread
C1-30366	Adaptor	NPT 1/4" internal thread - G1/4" external thread
E29-934p	Adaptor	NPT 1/4" internal thread - UNF 7/16" external thread
E29-900p	Plug	NPT 1/4" internal thread

錨板

WEH提供錨板選配，可使TW141快速接頭安全地與附加裝置連接且可用於所有密封範圍。



錨板上的孔洞。如：安全性
可附加鏈條



Part No.	Description
C1-45285	Anchor plate for TW141