

WEH® TW230快速接頭

概要



特點：

- 迅速連接
- 無需用手鎖緊
- 適用於直管、管道孔徑
- WEH®夾爪緊固裝置
- 無需調整密封物
- 管類公差範圍寬，最高可達± 0.25 mm
- 高規格材質

WEH®TW230快速接頭適用於水底、壓力衰減、氬氣等測試。

WEH®TW230配有安全系統可防止在加壓情況下不慎斷開；放射形的密封系統確保其安全可靠與效率。

應用

適用直管與管道(內徑)的壓力及 空測試。

如：水底、壓力衰減與氬氣等測試、熱交換器、壓力容器、閥門、轉換器、壓縮機、冷凝機、管路系統、冷卻及加熱系統等。

技術規格

	基本規格
操作壓力	Vacuum up to max. 70 bar
溫度範圍	+5 °C up to +80 °C
漏率	1×10^{-3} mbar x l/s
流體	Water, air, for a large variety of refrigerants and oils (please indicate when ordering)
測試件表面粗糙度	$\leq R_z 8 \mu\text{m}$ - surfaces greater than $R_z 8 \mu\text{m}$ are not recommended
測試件材質硬度	Max. hardness 28 HRC Connection to copper tubes
材質	Clamping jaws: Corrosion-resistant stainless steel, hardened Housing: Anodized aluminium
密封材質	Main seal of NBR

其它要求請連繫我們

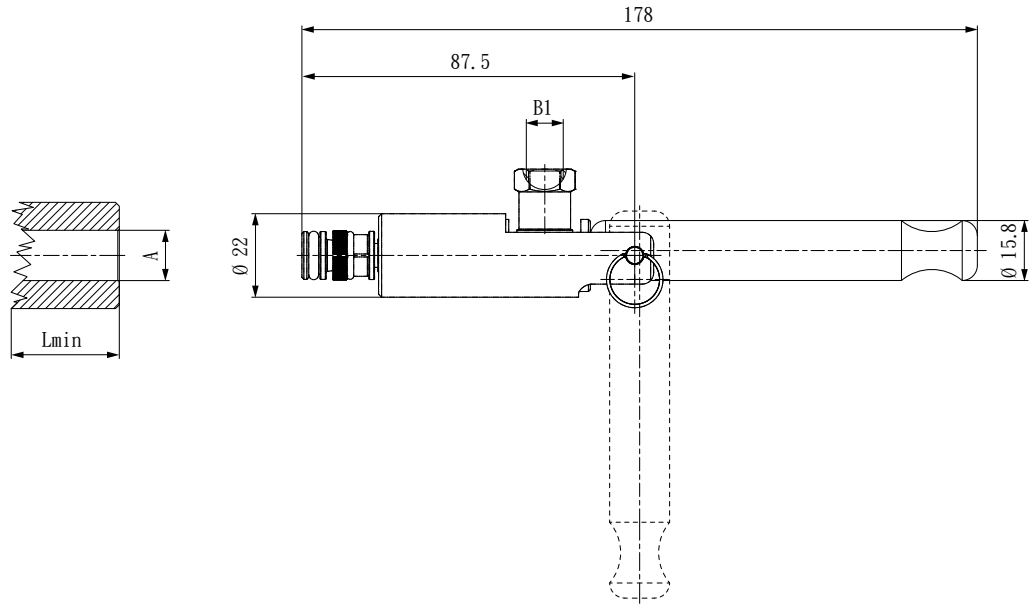
操作範例：



WEH® TW230快速接頭

ORDERING | WEH® TW230 Quick Connector – body size 1

approx. dimensions (mm)



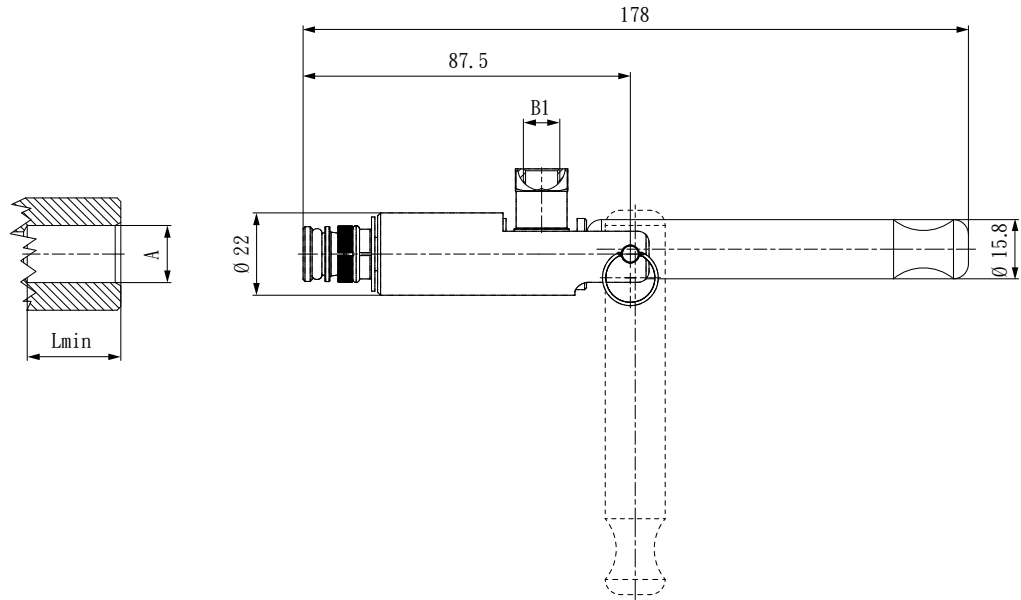
Part No.	Body size	Sealing range internal tube Ø A ± 0.25	Inlet B1 (internal thread)	Lmin*	Seal set (consists of 5 front seals + 1 retaining ring)
C1-128668	1	9.5 (3/8")	G1/8"	13.5	B200B-129358
C1-128734	1	10.0	G1/8"	13.5	B200B-129364
C1-128432	1	10.5	G1/8"	13.5	B200B-129369
C1-128742	1	11.0 (7/16")	G1/8"	13.5	B200B-129373
C1-128745	1	11.5	G1/8"	13.5	B200B-129376
C1-128750	1	12.0	G1/8"	13.5	B200B-129381
C1-128754	1	12.5	G1/8"	13.5	B200B-129385
C1-128756	1	12.7 (1/2")	G1/8"	13.5	B200B-129387
C1-128758	1	13.0	G1/8"	13.5	B200B-129389
C1-128763	1	13.5	G1/8"	13.5	B200B-129394
C1-128767	1	14.0	G1/8"	13.5	B200B-129398

* Lmin: minimum length required for insertion of test piece
When ordering, please state if testing reinforced fibre glass or plastic test pieces.

WEH® TW230快速接頭

ORDERING | WEH® TW230 Quick Connector – body size 2

approx. dimensions (mm)



Part No.	Body size	Sealing range internal tube Ø A ± 0.25	Inlet B1 (internal thread)	Lmin*	Seal set (consists of 5 front seals + 2 retaining rings**)
C1-128770	2	14.5	G1/8"	16.0	B200B-129401
C1-128774	2	15.0	G1/8"	16.0	B200B-129405
C1-128778	2	15.5	G1/8"	16.0	B200B-129409
C1-128782	2	15.9 (5/8")	G1/8"	16.0	B200B-129414
C1-128783	2	16.0	G1/8"	16.0	B200B-129415
C1-128789	2	16.5	G1/8"	16.0	B200B-129421
C1-128792	2	17.0	G1/8"	16.0	B200B-129424
C1-128796	2	17.5	G1/8"	16.0	B200B-129434
C1-128798	2	18.0	G1/8"	16.0	B200B-129436
C1-128802	2	18.5	G1/8"	16.0	B200B-129441
C1-128805	2	19.05 (3/4")	G1/8"	16.0	B200B-129445
C1-128809	2	19.5	G1/8"	16.0	B200B-129449
C1-128810	2	20.0	G1/8"	16.0	B200B-129450
C1-128813	2	20.5	G1/8"	16.0	B200B-129453
C1-128816	2	21.0	G1/8"	16.0	B200B-129456
C1-128818	2	21.5	G1/8"	16.0	B200B-129458
C1-128820	2	22.0	G1/8"	16.0	B200B-129460
C1-128821	2	22.2 (7/8")	G1/8"	16.0	B200B-129461

* Lmin: minimum length required for insertion of test piece

** Seal sets for body size 2 with a sealing range < 15.9 mm only contain 1 retaining ring
Additional sizes are available up to sealing range 40.0 mm.

When ordering, please state if testing reinforced fibre glass or plastic test pieces.

TW230快速接頭提供從 9.5 mm到40.0 mm間距0.5 mm的公制尺寸、以及標準英制尺寸。其它接頭尺寸或規格請連繫我們關於訂購所需資訊請參照page 9.

» WEH[®] TW230快速接頭

配件

以下配件可選購與TW230快速接頭共用：

螺塞資訊請參照page 15.